



INNOVATIVE DISPLAY SOLUTION



Innovative
Display
Solution

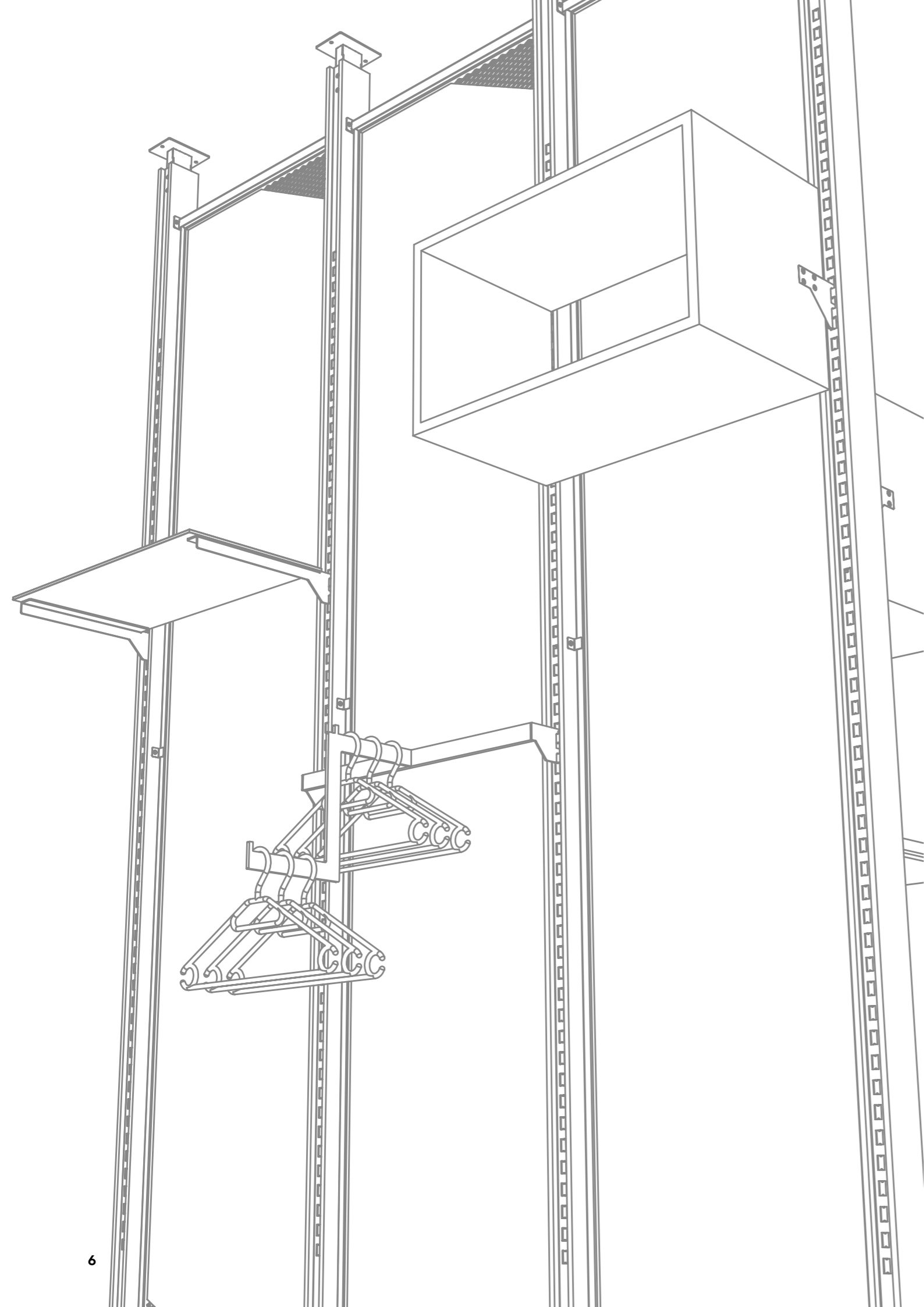




Contents

Modular retail shelving systems	5
SPS – Partition Shelving Systems	7
SWS – Wall Shelving Systems.	15
Display elements for modular shelving systems	28
Frame System	41
FPS – Frame Partition System	42
FWS – Frame Wall System	54
Display elements for Frame shelving systems	64
Freestanding metal retail shelving	77
Freestanding wood retail shelving	89
Retail Display Stands	95
Custom Solutions	109

Modular retail shelving systems

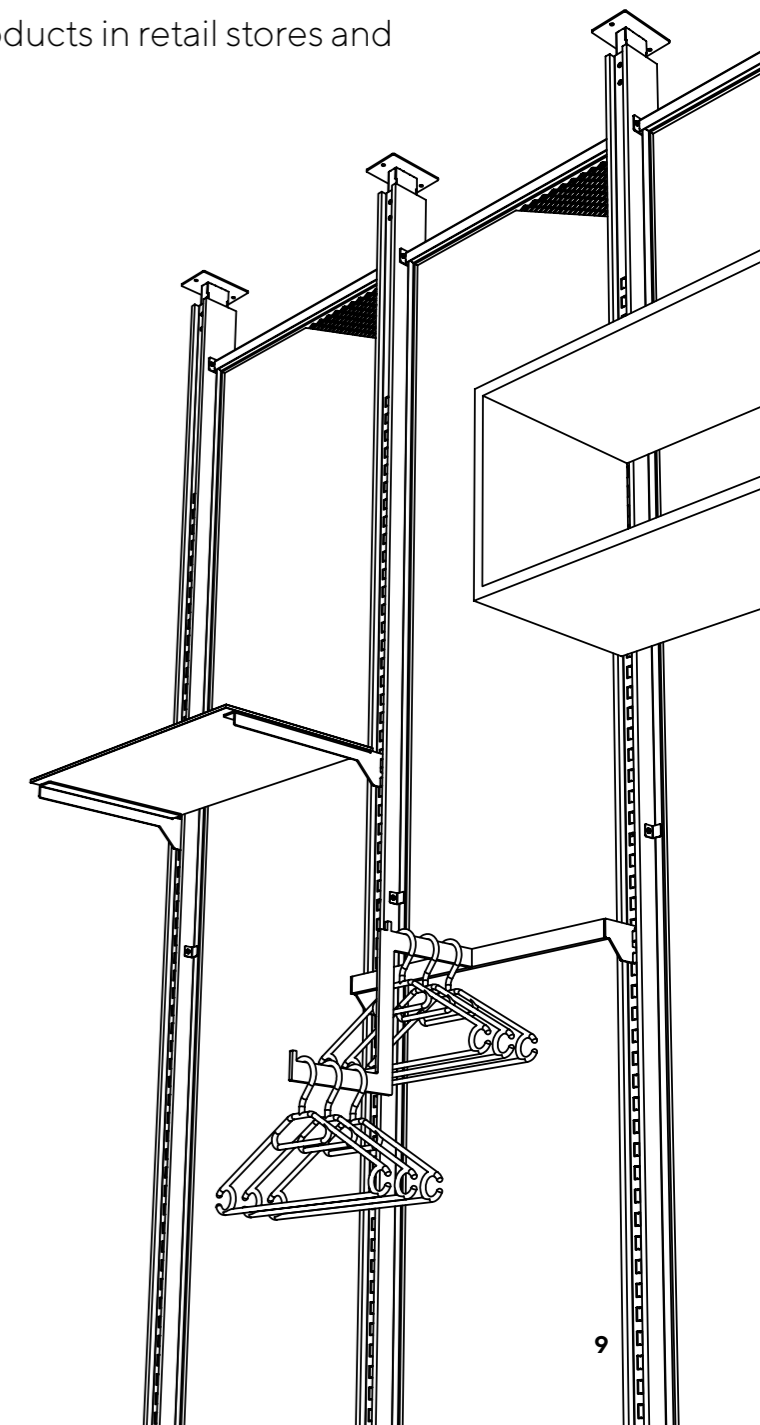


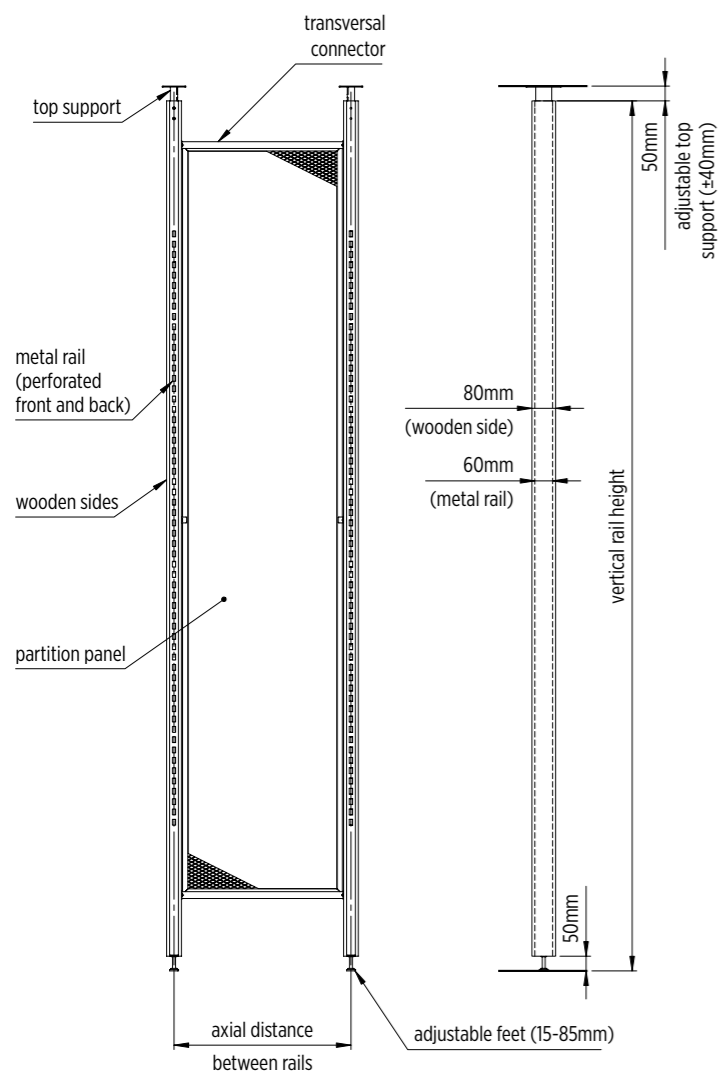
Partition shelving systems

Explore our unique collection and find the right shelving system for your store. ALM manufactures unique shelving systems with movable, height - adjustable shelves and clothing rails for exhibiting clothes, garments, uniforms and other products in retail stores and boutiques.

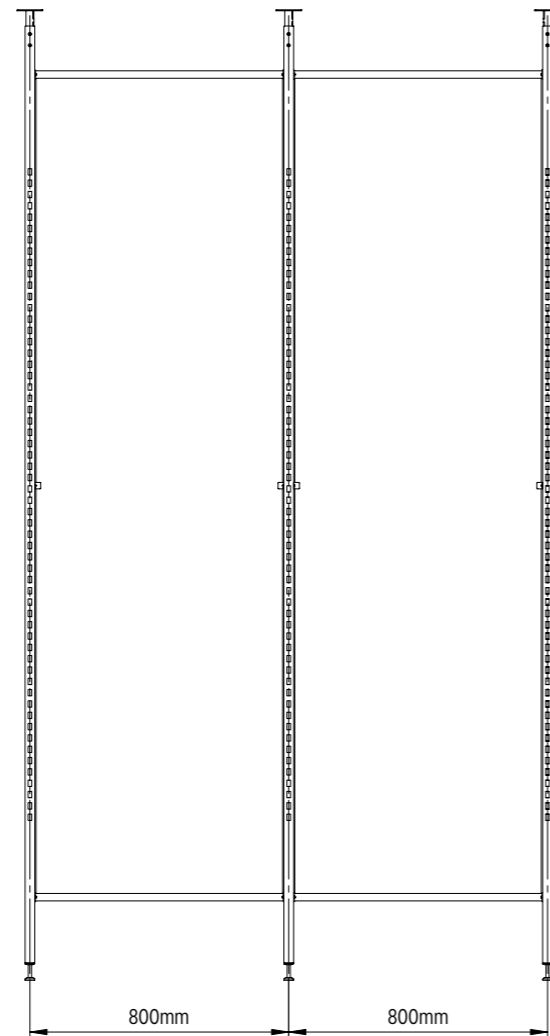


This system makes the most use of the presenting area and it is adaptable to any clients vision or project. The dimensions of the system and combinations of shelves are adaptable to any interior.





■ 600mm vertical rails axial distance



■ 800mm vertical rails axial distance. Option without wooden sides.

DESIGNATION / ORDERING CODES

SPS - 2950 - MM - WS - 600 - 3 - 1 - MM

1 2 3 4 5 6 7 8

- 1 SPS : Shelving Partition-mount System
- 2 2600 - 2950 : Vertical rail height (in millimeters measured from floor). 2950 mm vertical rail supplied as a standard. Heights from 2600 to 2950mm available.
- 3 MM : Metal mesh partition
WB : Wood board partition
C : Custom layout of the partition panels
* Consult factory if custom layout of the partition panels is required
- 4 WS : Option with wooden sides.
X : Option without wooden sides.
- 5 600 or 800 : Vertical rails axial distance in millimeters.
- 6 2 or more : Number of vertical rails
- 7 Surface finish options:
1 : Raw/unfinished
2 : Black (RAL 9005 matte)
3 : White (RAL 9010 matte)
4 : Anthracite (RAL 7016 matte)
- 8 Fill-in panel options:
MM : Metal mesh fill-in panels
WB : Wood board fill-in panels
N : No fill-in panels
C : Custom layout of the fill-in panels
* Consult factory if custom layout of the fill-in panels is required

Note: Please see pages 28 - 38 for display elements. Select and specify elements and quantities required.

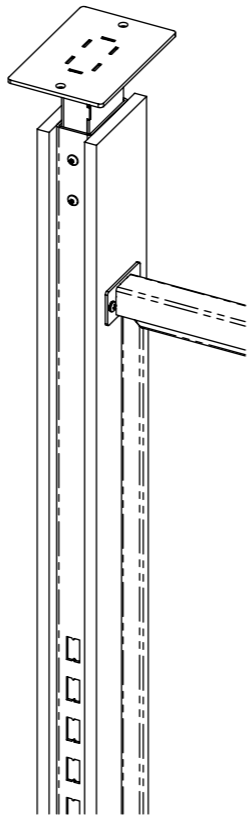


The system contains structural vertical rails that can be manufactured to desired height. The rails can be powder coated metal or powder coated metal with wooden sides. Choice of intermediate panels from metal mesh to wood board gives desired appearance. Shelves and rails can be selected in the matching materials.

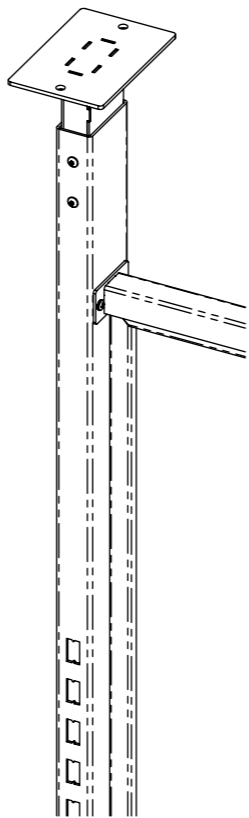


This modern solution ensures that your space will be highly aesthetic, stylishly recognizable, functional and perfectly tailored to the needs of your business.

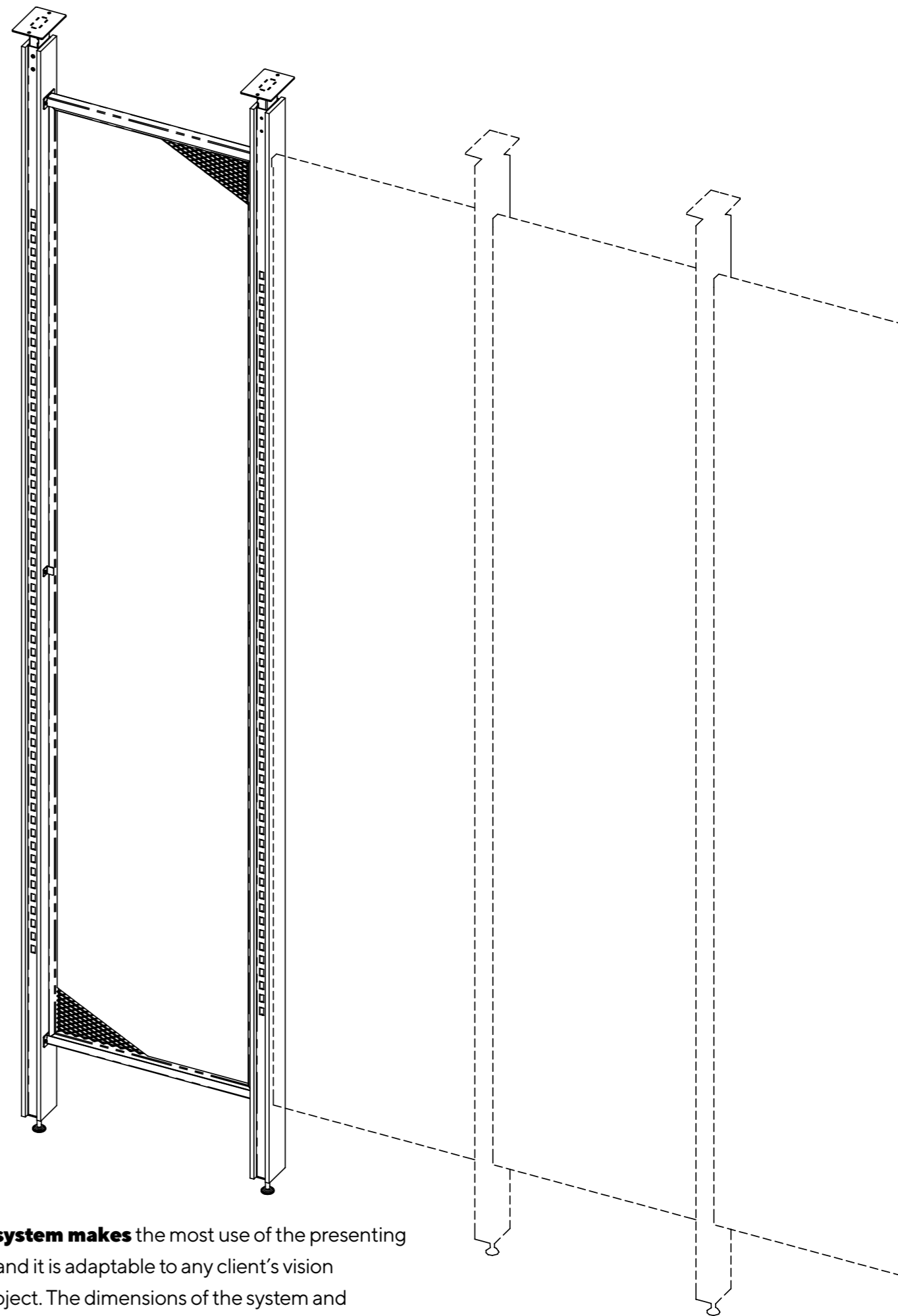




■ With wooden sides



■ Without wooden sides



The system makes the most use of the presenting area and it is adaptable to any client's vision or project. The dimensions of the system and combinations of shelves are adaptable to any interior.

Partition Shelving Systems – Custom

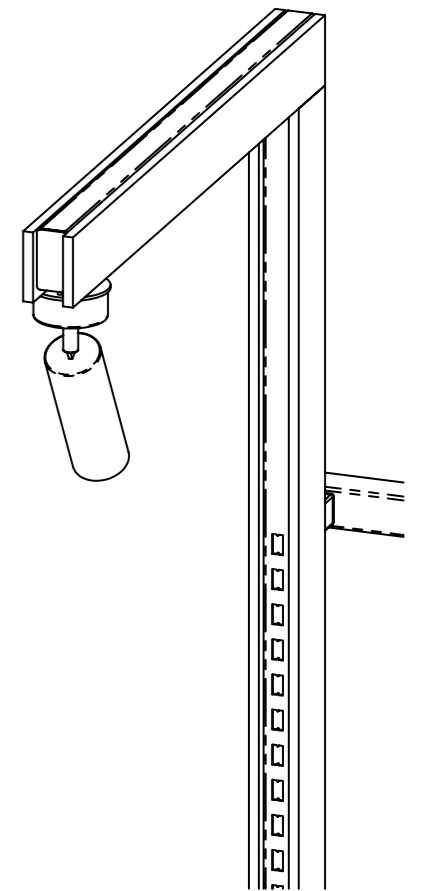
FREESTANDING / PARTITION





Wall shelving systems

The wall system contains wall structural elements installed on to a wall surface and a wide choice of shelves (wooden or glass) and rails for clothing that can be organized in numerous ways according to client's needs and creativity.



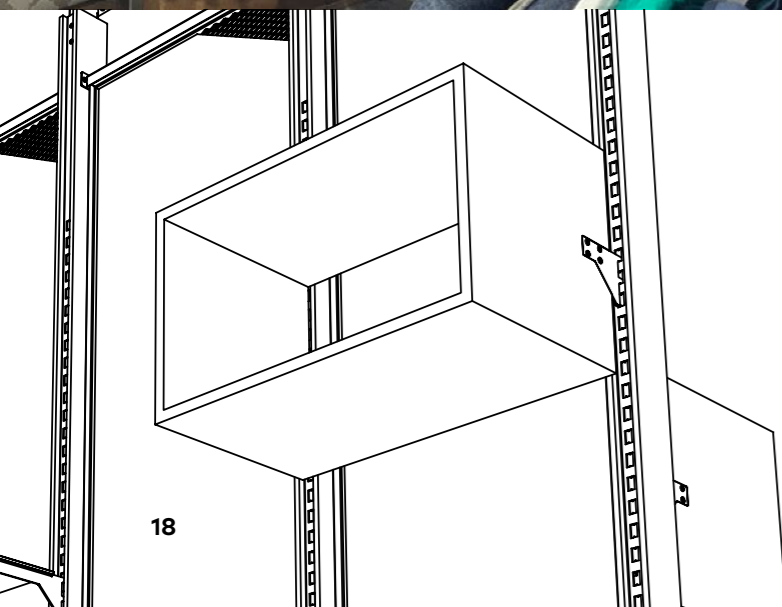
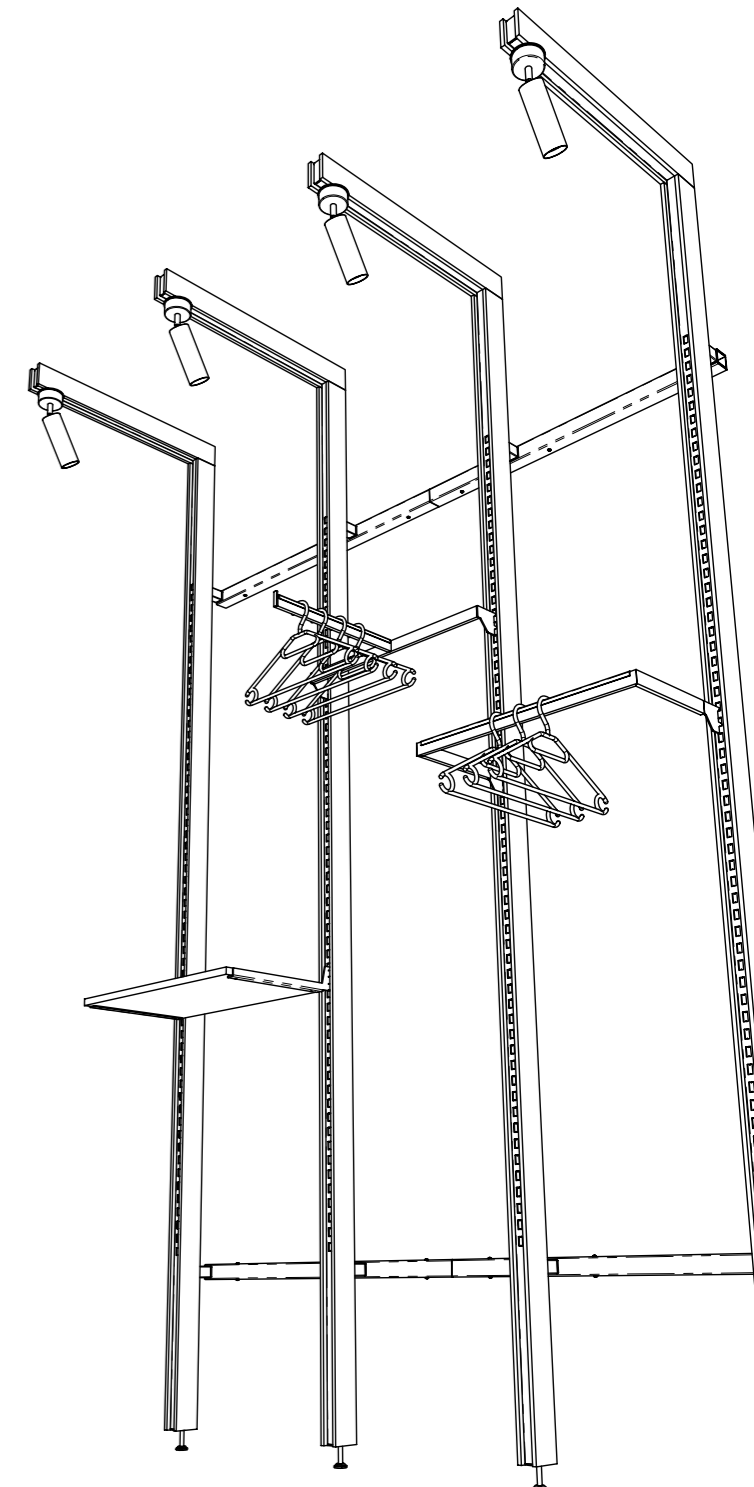


SWS - 2950 - C600 - WS - 800 - L2 - 1 - MM

1 2 3 4 5 6 7 8

- 1 **SWS** : Shelving Wall-mount System
 - 2 **2600 - 2950** : Vertical rail height (in millimeters measured from floor). 2950mm vertical rail supplied as a standard. Heights from 2600 to 2950mm available.
 - 3 **C600 - C900** : Option with down light console (length in millimeters). 600mm console supplied as a standard. Lengths from 600 to 900mm available.
X : Option without down light console.
 - 4 **WS** : Option with wooden sides.
X : Option without wooden sides.
 - 5 **600 or 800** : Vertical rails axial distance in millimeters.
 - 6 Module type:
S _ : Single module... _2 : ...with two vertical rails
L _ : Left module... _3 : ...with three vertical rails
M _ : Middle module...
R _ : Right module...
 - 7 Surface finish options:
1 : Raw/unfinished
2 : Black (RAL 9005 matte)
3 : White (RAL 9010 matte)
4 : Anthracite (RAL 7016 matte)
 - 8 Fill-in panel options:
MM : Metal mesh fill-in panels
WB : Wood board fill-in panels
N : No fill-in panels
C : Custom layout of the fill-in panels
* Consult factory if custom layout of the fill-in panels is required
- Note:** Please see pages 28 - 38 for display elements. Select and specify elements and quantities required.

The vertical support rails can be powder coated metal or powder coated metal with applied wooden sides. You can choose intermediate panels from metal mesh to wood board or select other material.



We can deliver a unique store fitting experience with high functionality and maximum use of retail space.



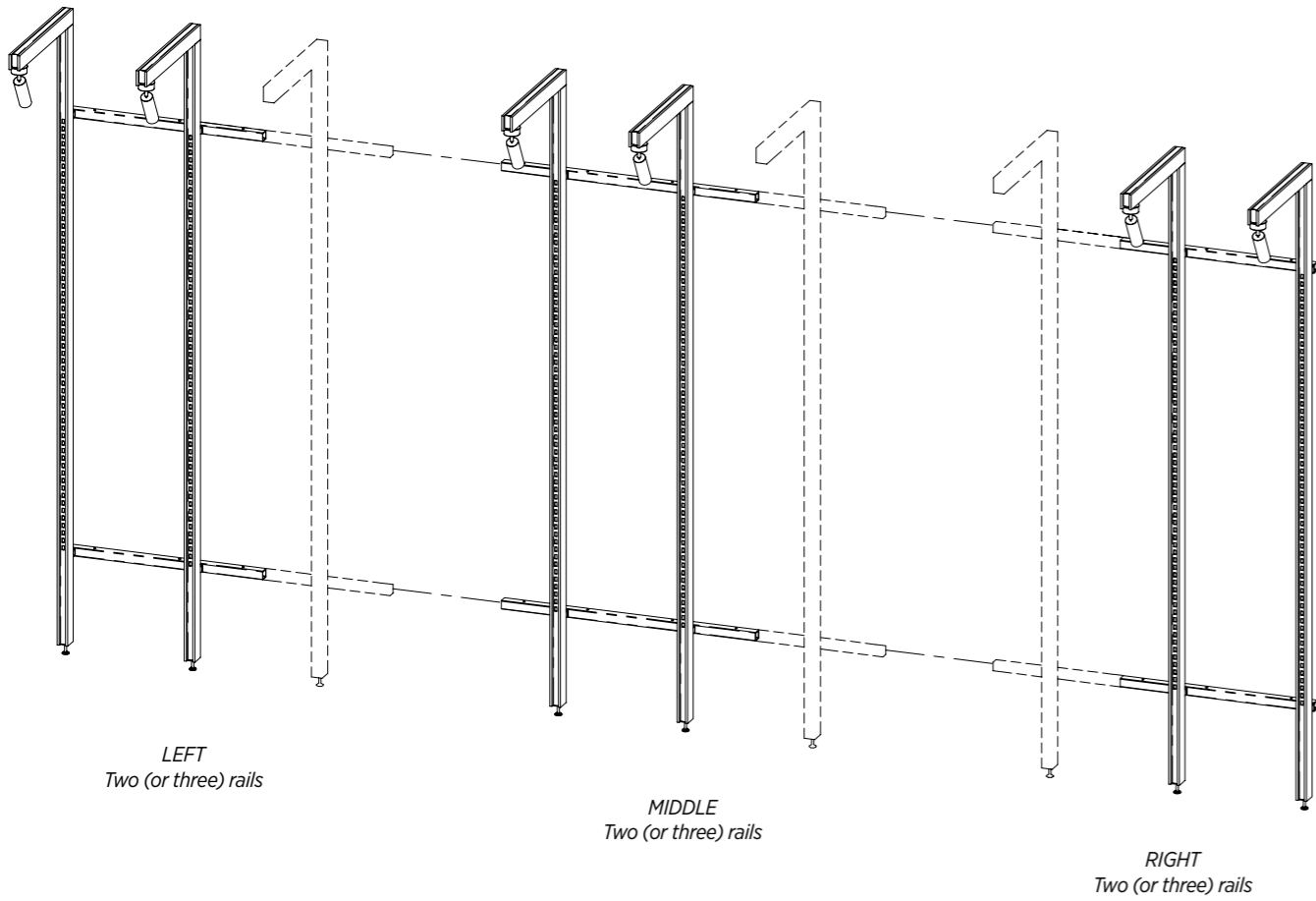


The dimensions of the system and combinations of shelves are adaptable to any client's vision or project. Wide choice of display elements for products that can be organized in numerous ways according to client's needs.

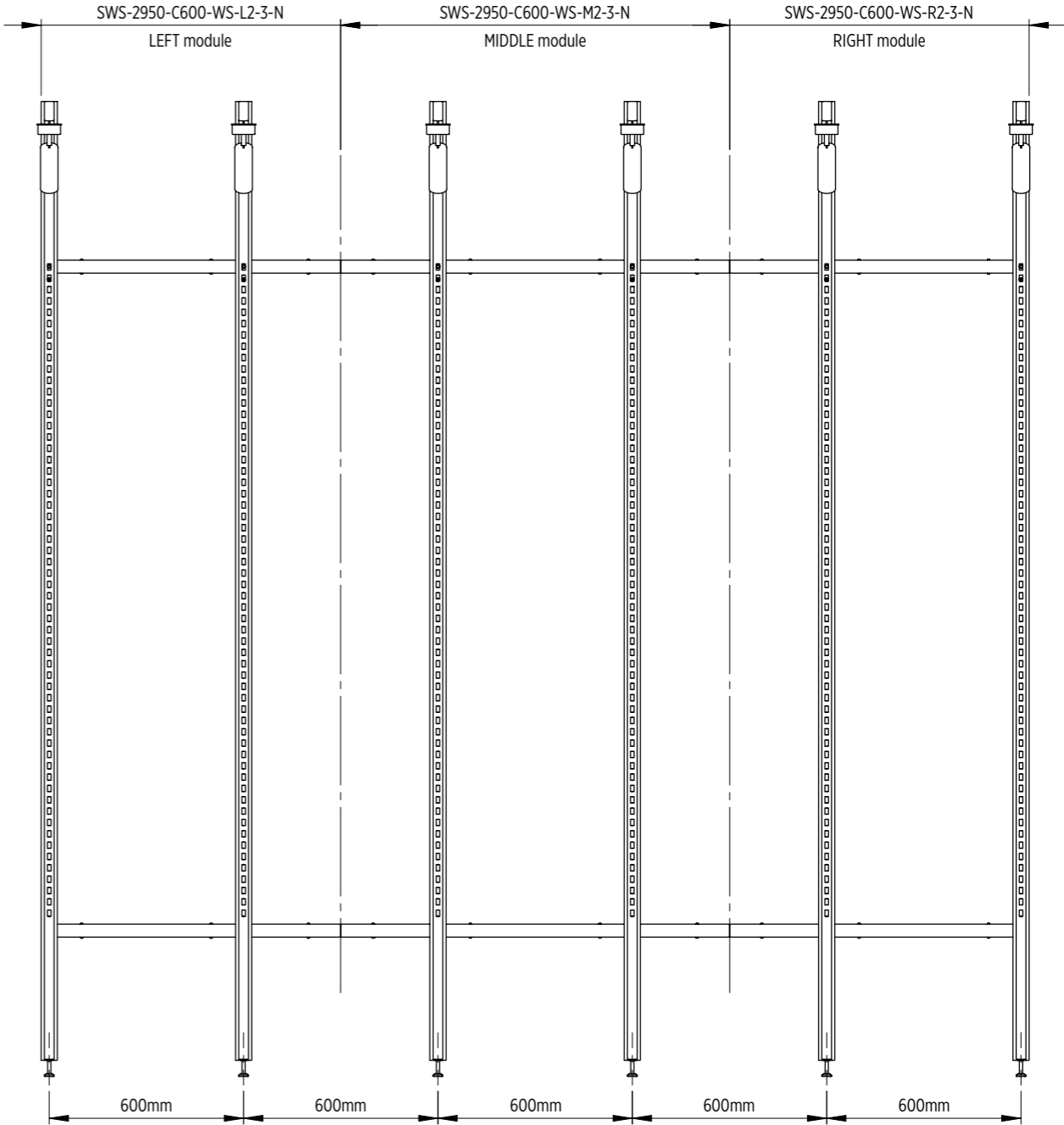
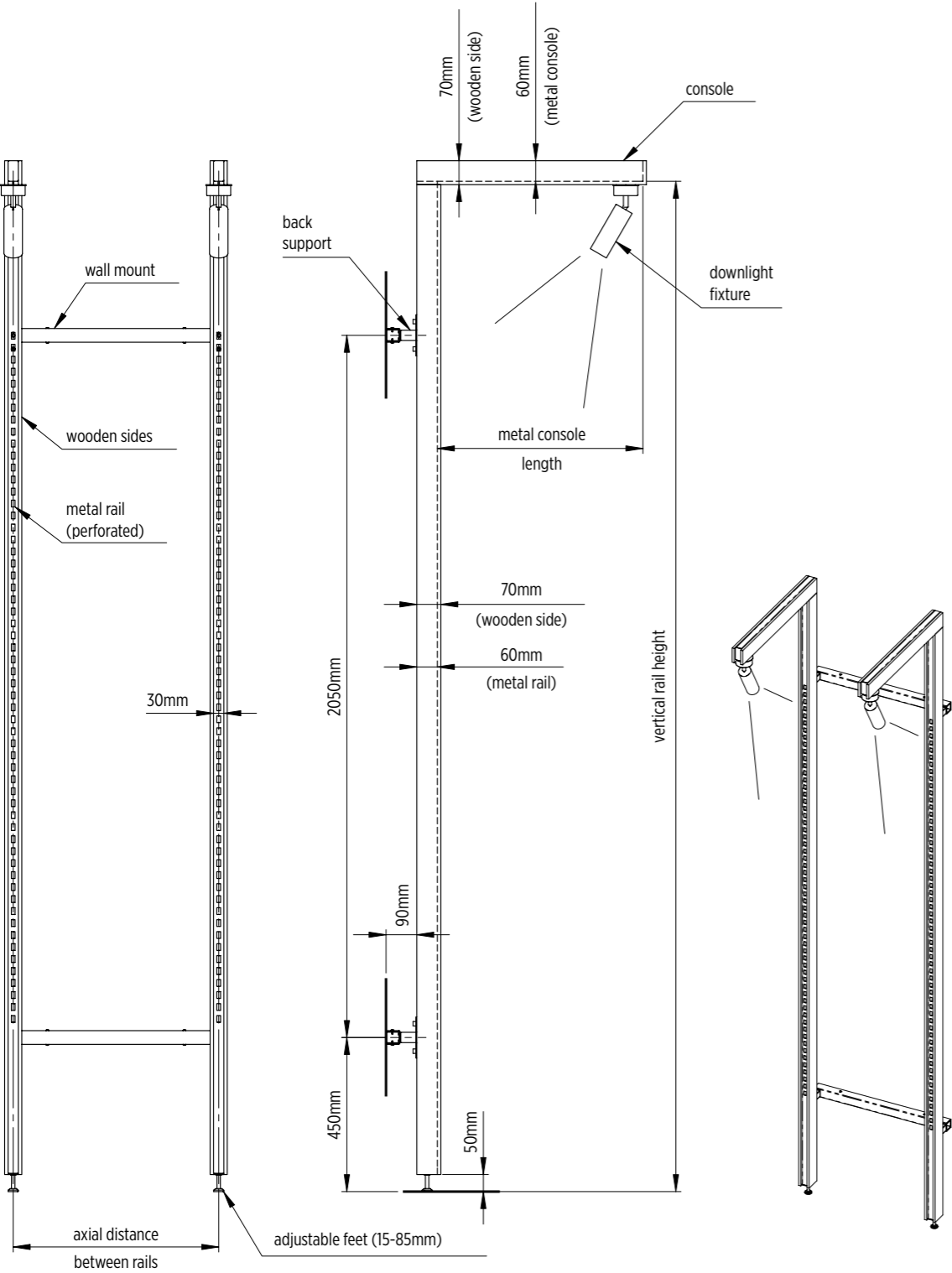


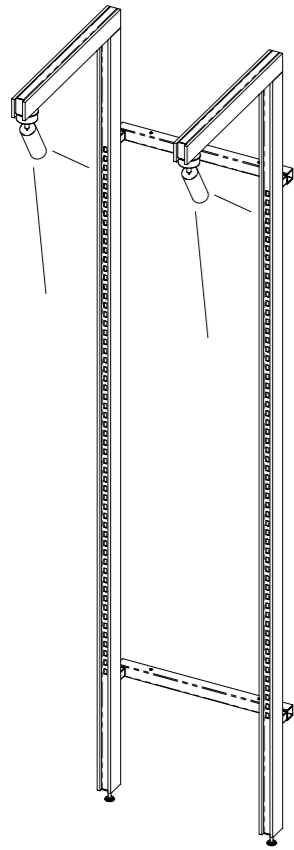


Choose the combination
of modules that will fit
the interior of your store.
For your project, we can
manufacture modules that
are connected in sections to
desired length or separated.

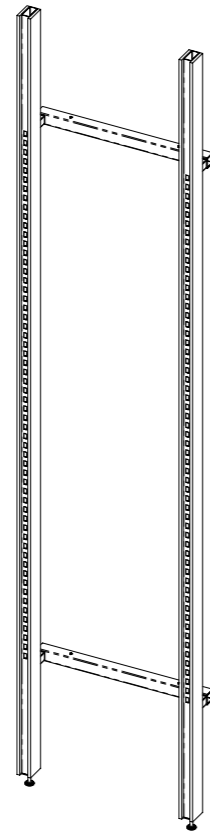


The dimensions of the system and combinations of modules are adaptable to any project. Review system's technical sheet for details, technical specifications, and dimensions.

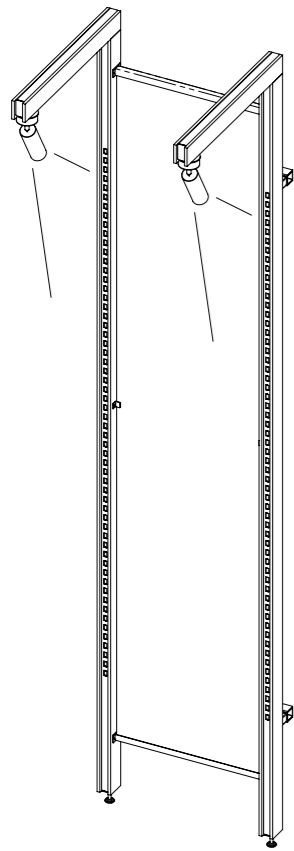




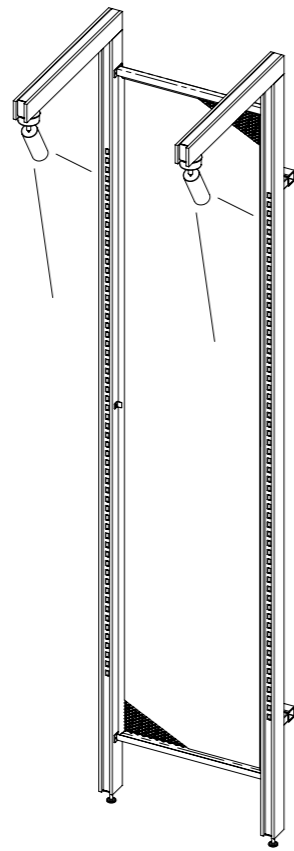
■ Model with downlight console



■ Model without downlight console



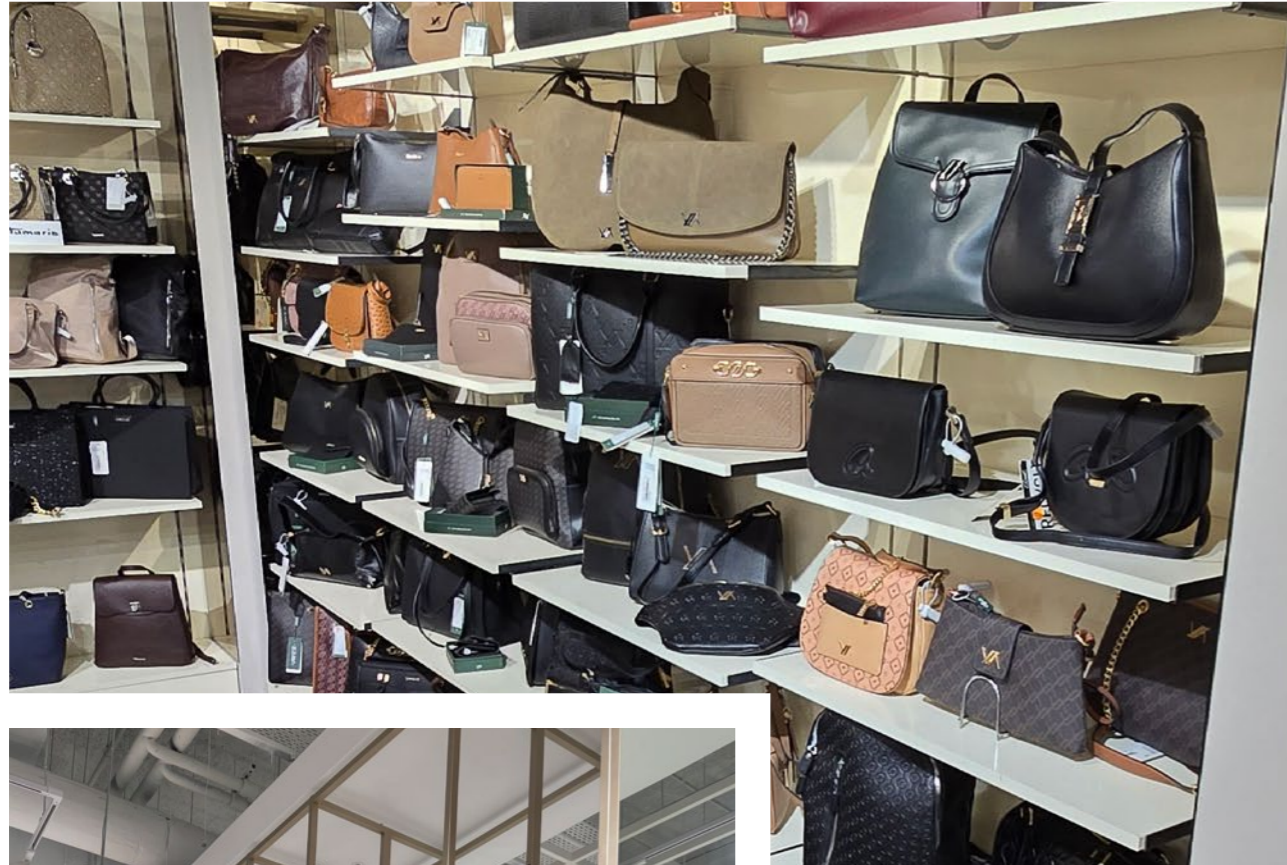
■ Model with wood board fill-in panel



■ Model with metal mesh fill-in panel



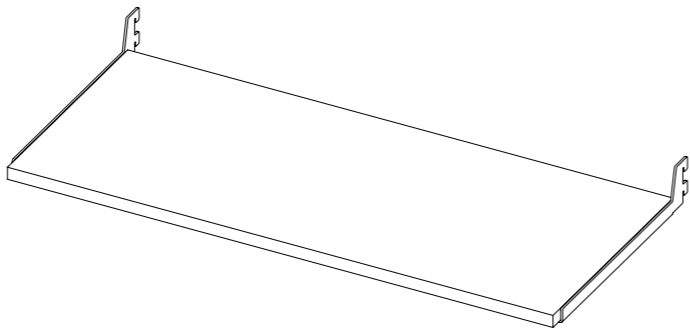
Wall Shelving Systems – Custom



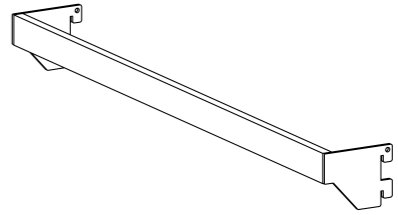
Display elements for modular shelving systems

Select width of the display elements based on selected axial distance between vertical rails. Specify 600 or 800mm.

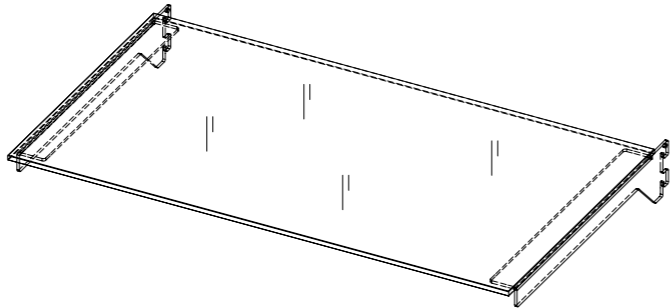
Wood shelf = WS



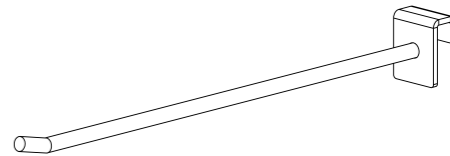
Hanger Support 1 = HS1



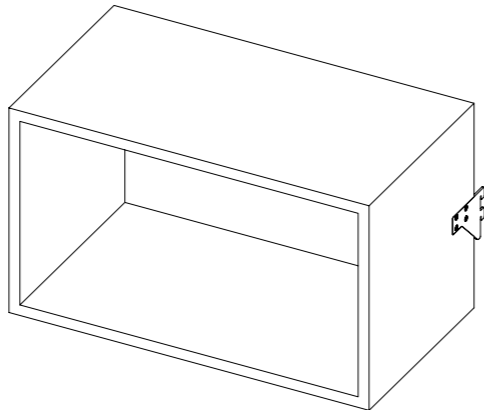
Glass shelf = GS



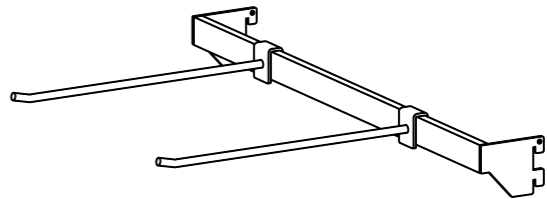
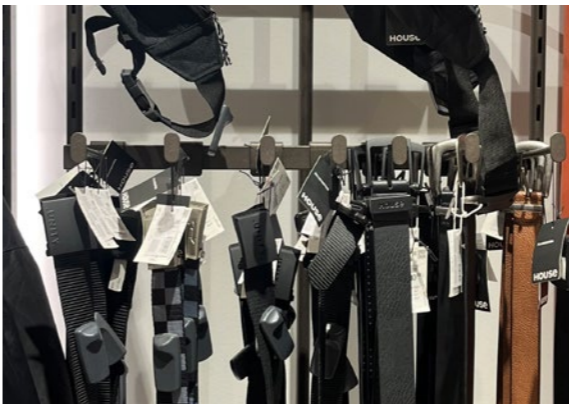
Hanger 20 = H20



Wood box shelf = WBS



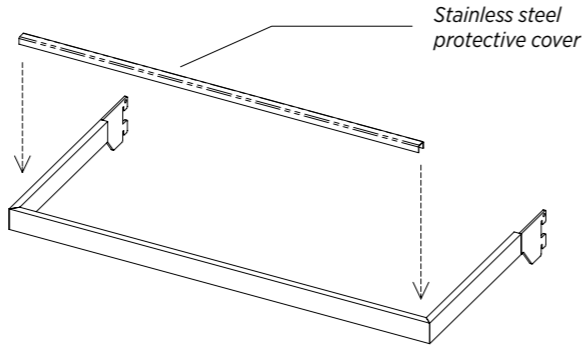
HS1 + H20



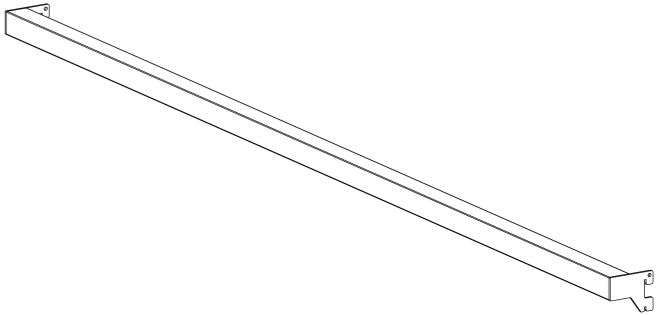
Display elements for modular shelving systems

Select width of the display elements based on selected axial distance between vertical rails. Specify 600 or 800mm.

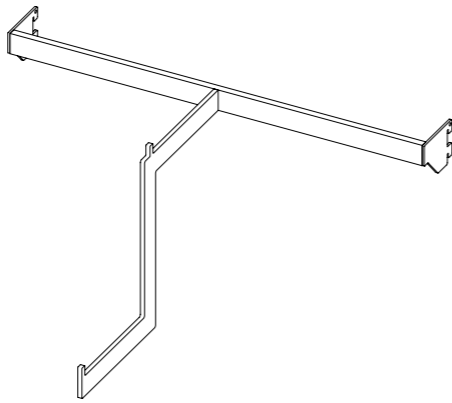
Hanger support 2 = HS2



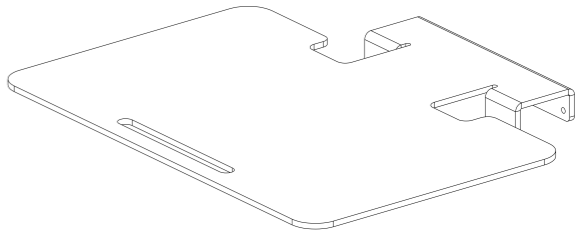
Hanger support 3 = HS3



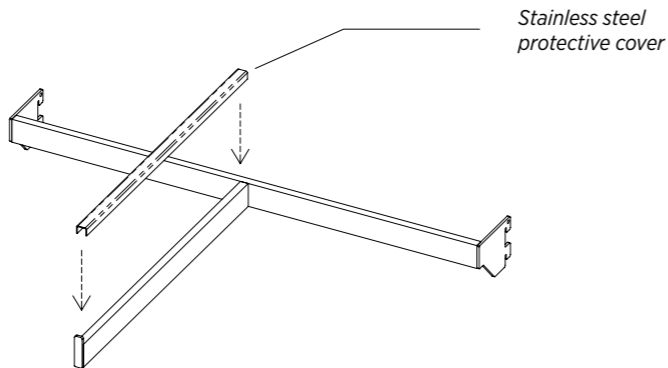
Hanger support 45 = HS45



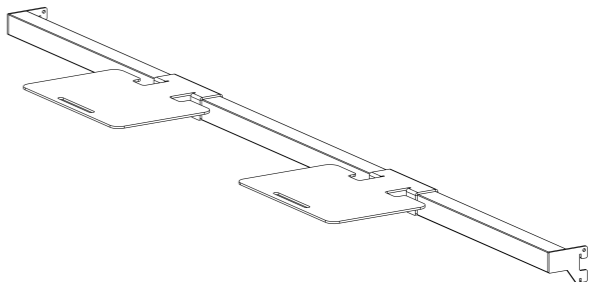
Shoe display shelf = SD



Hanger support 46 = HS46



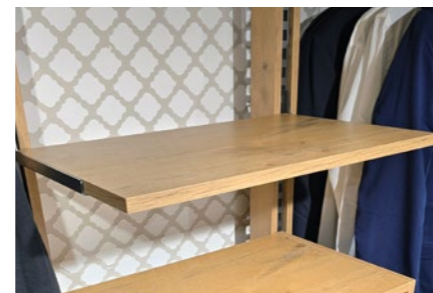
HS3 + SD



Display elements for modular shelving systems

We manufacture a wide choice of adjustable rails, shelves and hanger supports for displaying clothes, garments and uniforms. We can also manufacture custom rails as per client's request.

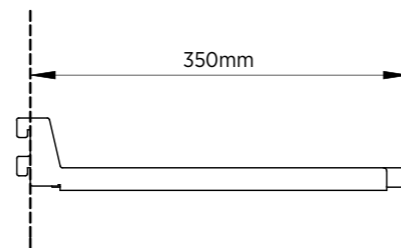
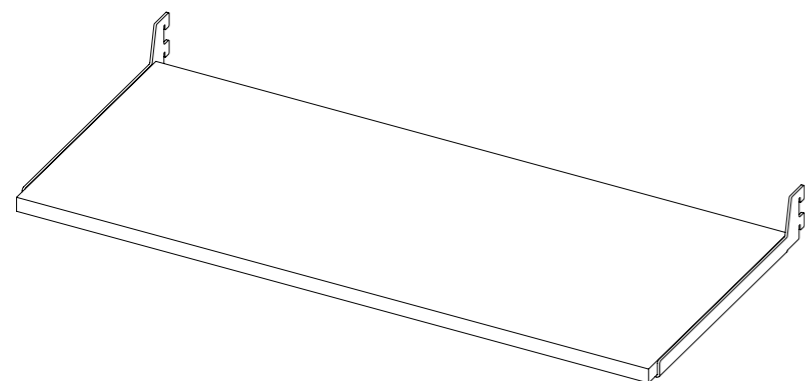
Wood shelf = WS



Wood material
- 18mm thick wood board

- 1 : White Wood - Matte
- 2 : Black Wood - Matte
- 3 : Wood pattern - Matte

* Please consult the factory or specify desired material.

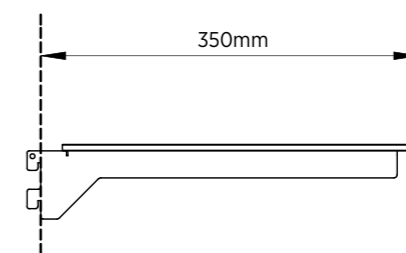
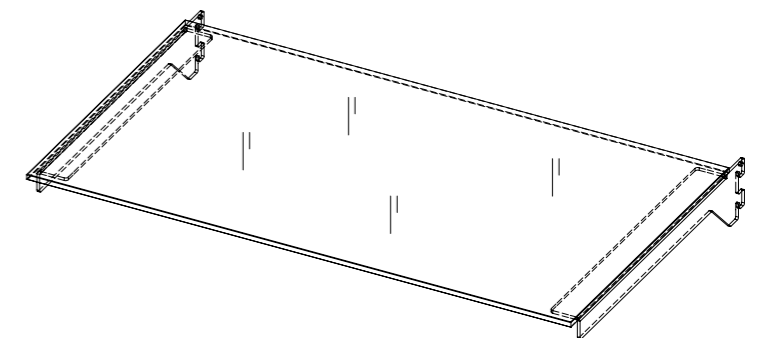
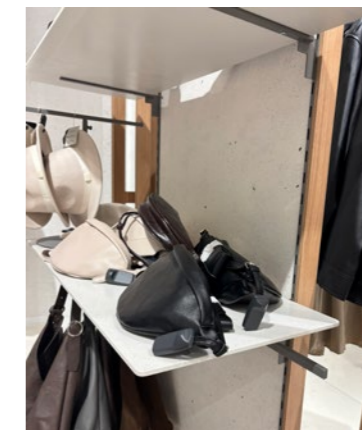


■ WS - 600 (800)

Glass shelf = GS



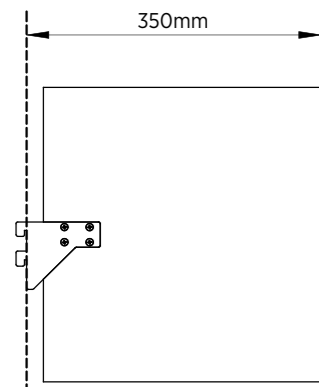
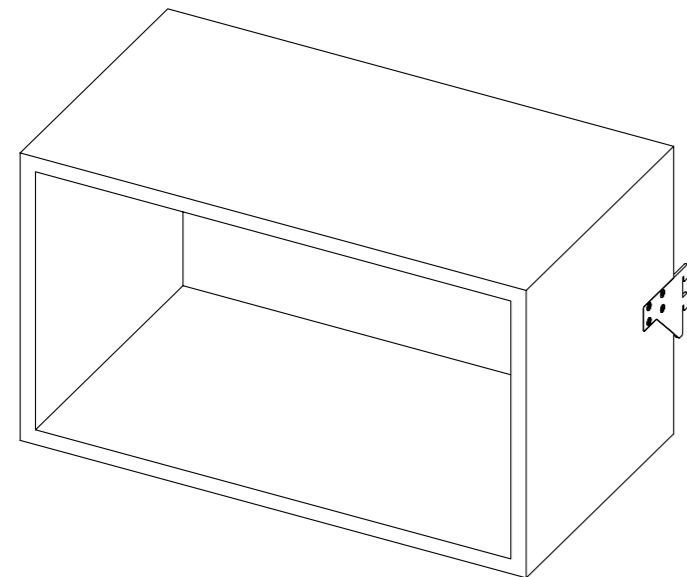
The shelves are made with options and combinations of wood, chipboard, glass, and other composite materials. They are movable, height-adjustable shelves and clothing rails for exhibiting clothes, footwear, garments, uniforms and other products in retail stores and boutiques.



■ GS - 600 (800)

Wood box shelf = WBS

Explore our selection of display elements and find the right combination of shelves, boxes, and rails for your shelving system. We can manufacture custom shelves, rails, and boxes for displaying clothing, garments and uniforms to add to the functionality of your retail space.



Wood material

- 18mm thick wood board

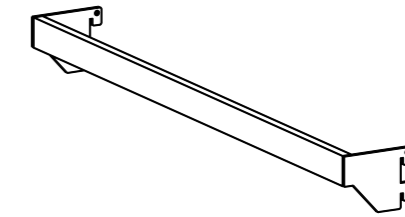
- 1: White Wood - Matte
- 2: Black Wood - Matte
- 3: Wood pattern - Matte

* Please consult the factory or specify desired material.

■ WBS - 600 (800)

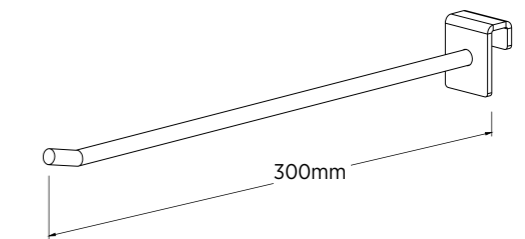


Hanger Support 1=HS1

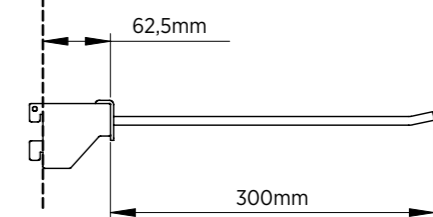
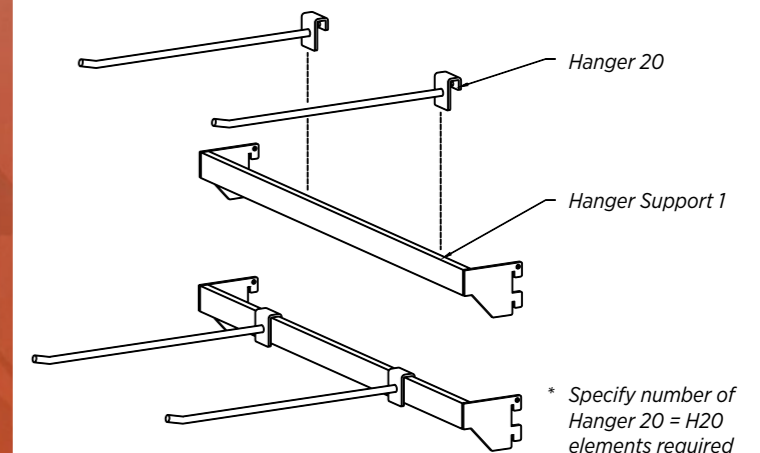


■ HS1- 600 (800)

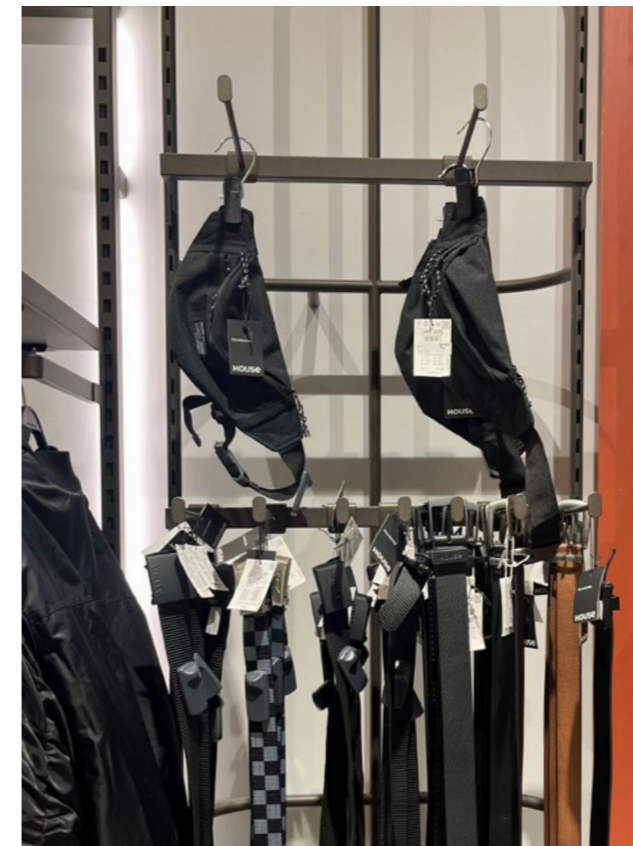
Hanger 20 = H20



HS1 + H20



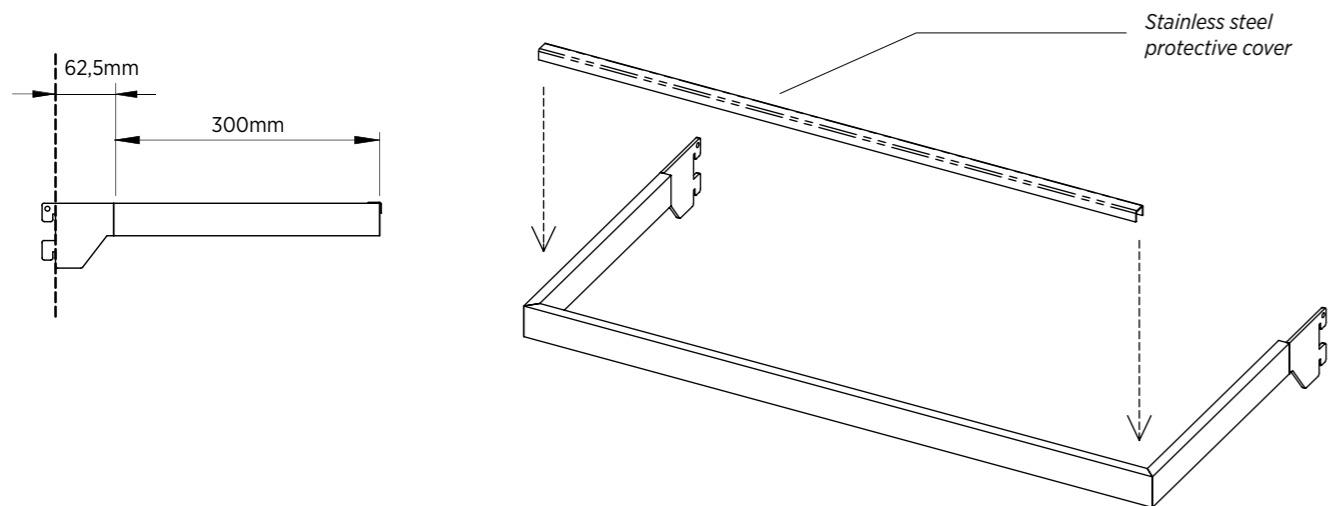
■ HS1 + H20



Our products combine fashion and luxury with practicality, adding a modern touch to your clothing store. Delivering shelving systems that are both fashionable and durable, customization can be perfectly combined according to store size and needs, presenting the best results.



Hanger support 2 = HS2

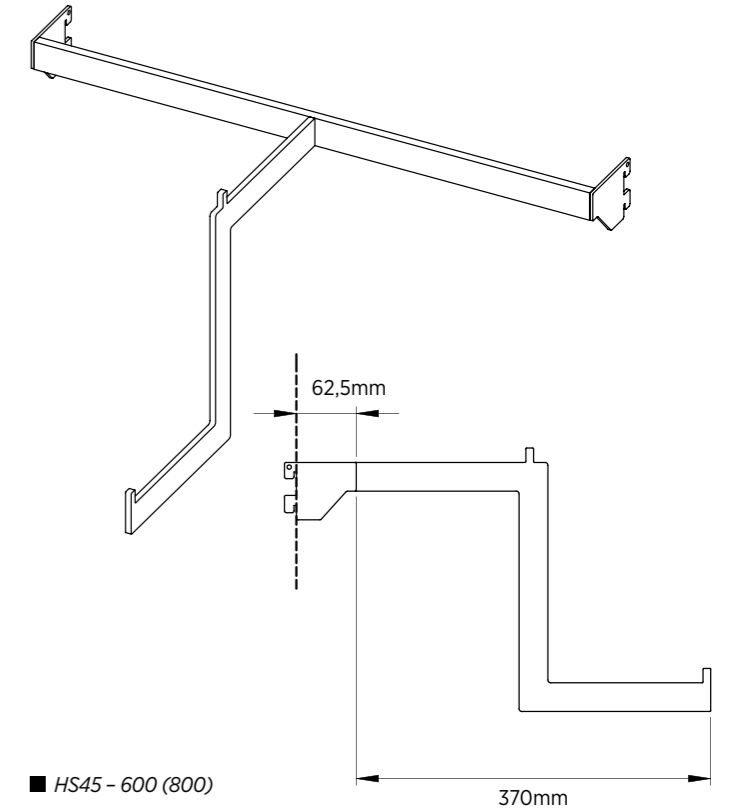


■ HS2 - 600 (800)



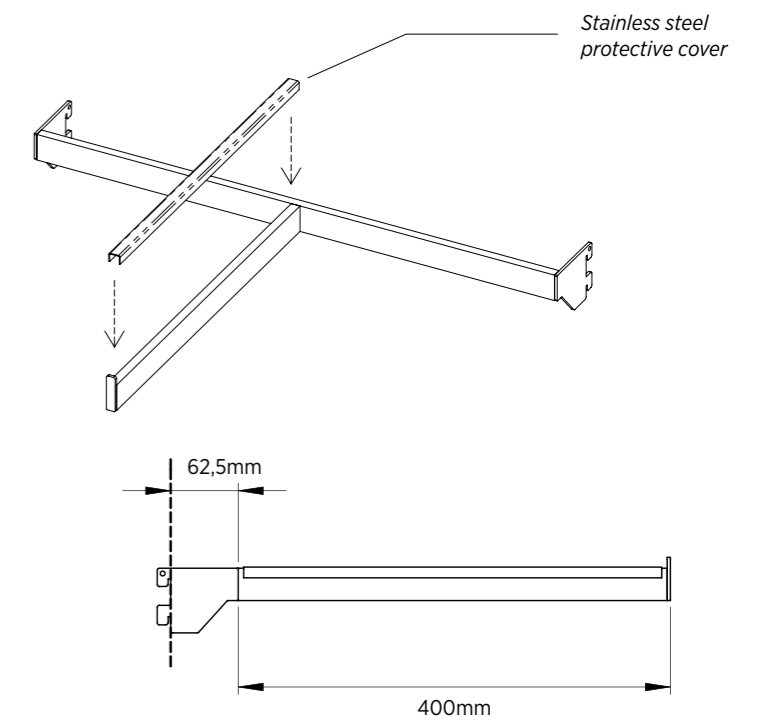
These types of display elements are ideal for displaying unique clothing pieces. Made of materials of the highest quality and also budget-friendly!

Hanger support 45 = HS45



■ HS45 - 600 (800)

Hanger support 46 = HS46

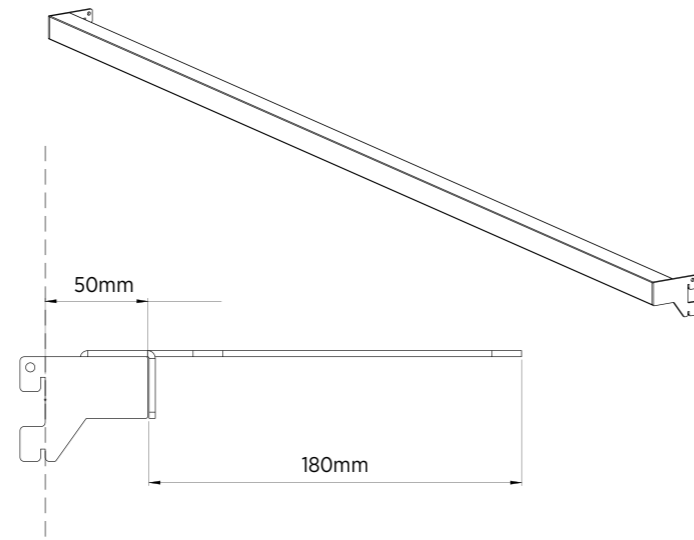


■ HS46 - 600 (800)

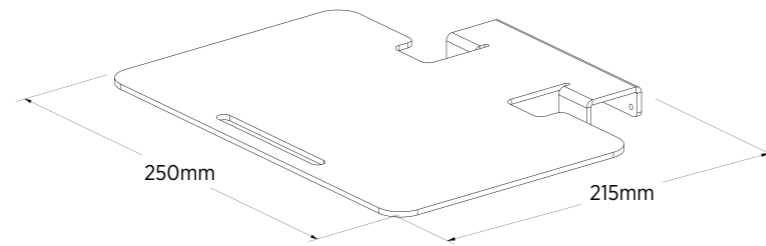


Our exhibit elements, rails, shelves, and handles are manufactured to last the longest of periods of time. The dimensions and combinations of shelves are adaptable to any interior.

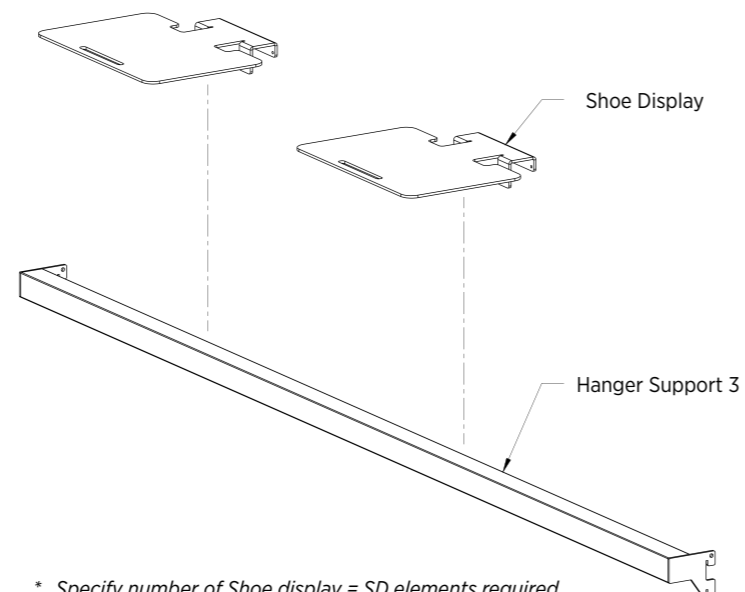
Hanger support 3 = HS3



Shoe display shelf = SD



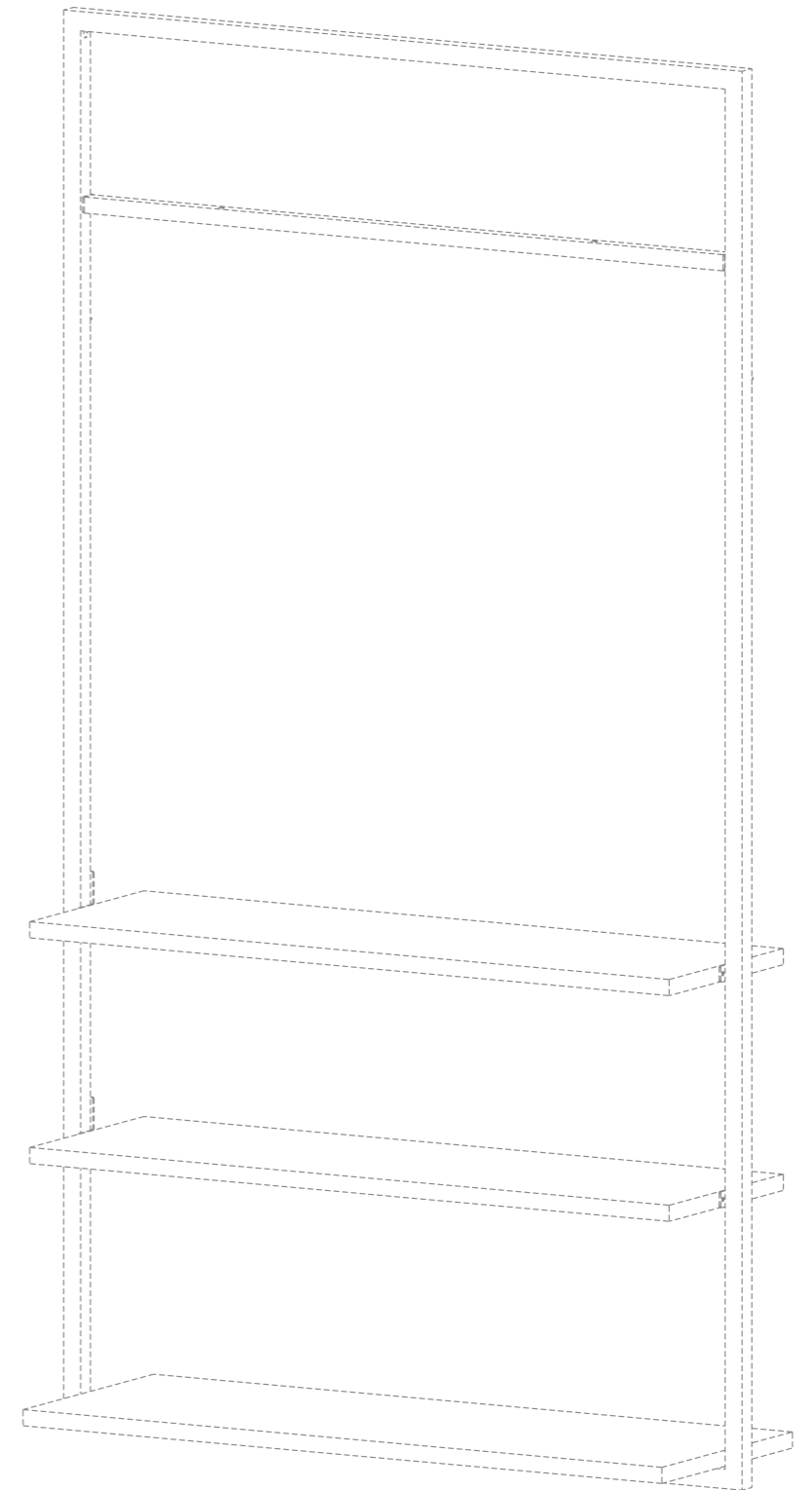
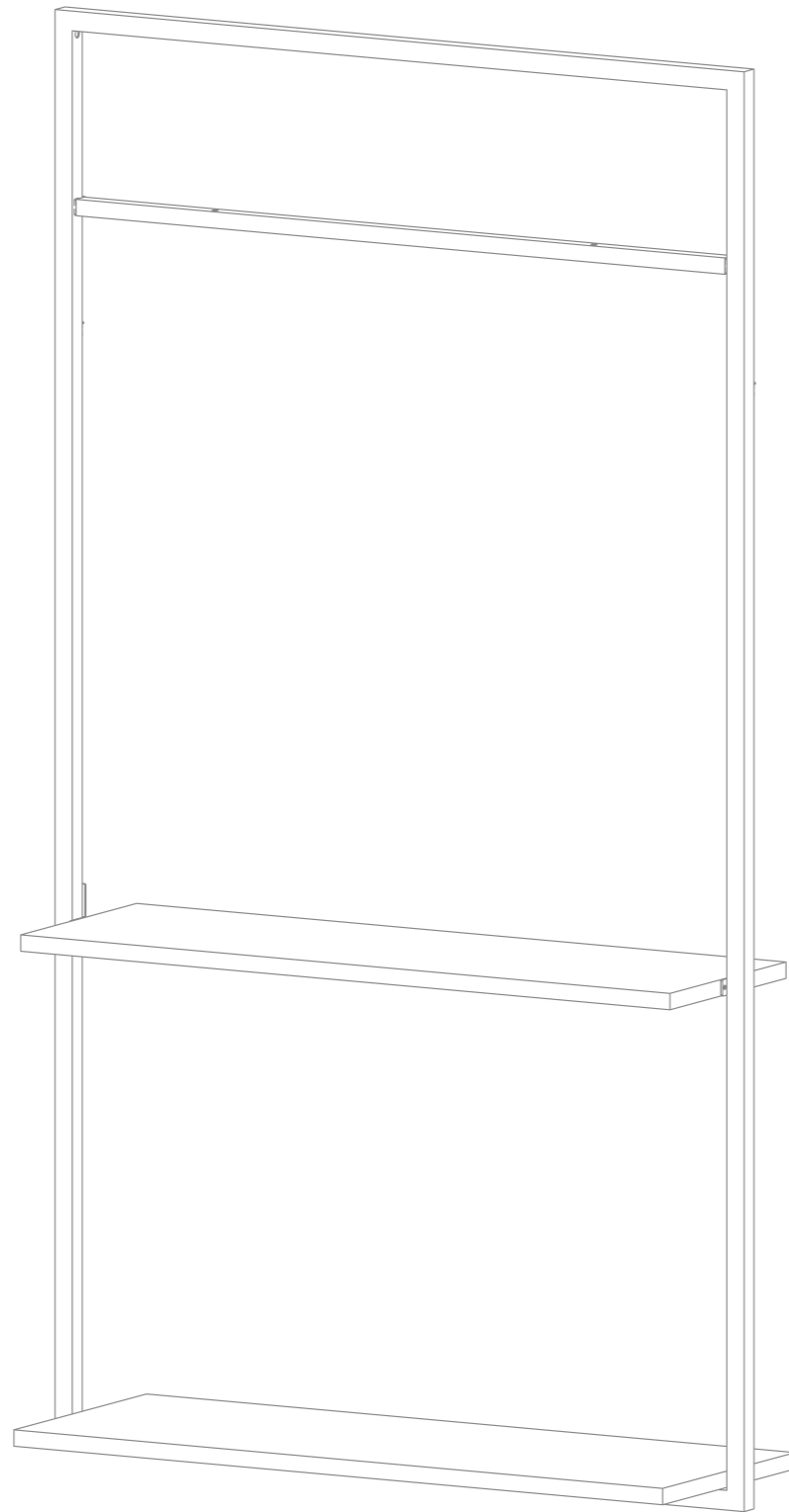
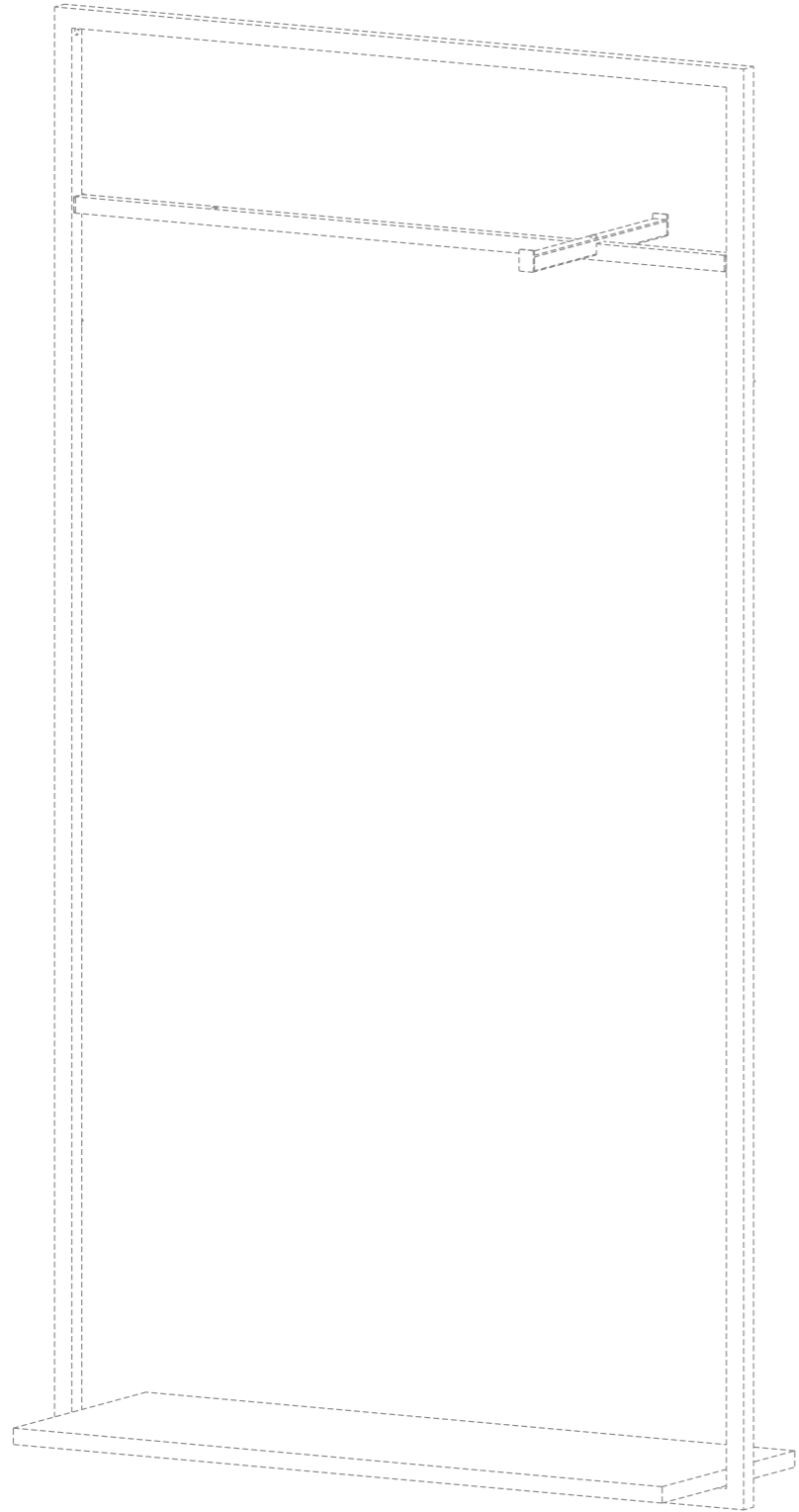
HS3 + SD



* Specify number of Shoe display = SD elements required



Frame System - Modular retail shelving systems



FPS – Partition shelving systems



DESIGNATION / ORDERING CODES

Item description: Frame partition system, 600mm long, Painted Black, 100mm fabricated wood base, Wood base - Black, No lighting.

FPS - 600 - 2 - 2 - 2 - X
 1 2 3 4 5 6

1 FPS : Partition shelving systems

2 Frame length:
 - 600 mm
 - 1200 mm
 - Please specify custom length if required

3 Surface finish options:
 1: Raw/unfinished
 2: Black (RAL 9005 matte)
 3: White (RAL 9010 matte)
 4: Anthracite (RAL 7016 matte)

4 Wood base (Podest)
 1: 25mm thick
 2: 100mm fabricated wood base

5 Wood base (Podest) material
 1: White Wood - Matte
 2: Black Wood - Matte
 3: Wood pattern
 * Please consult the factory or specify desired material

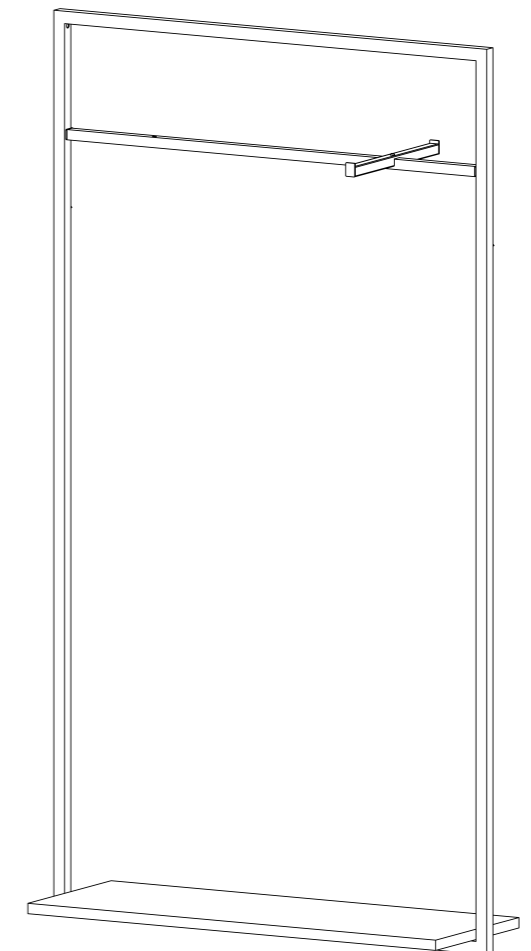
6 Lighting
 1: 10 Watt / meter, 4000K LED board
 2: 20 Watt / meter, 4000K LED board
 X: Not required

Note:
 Please see pages 64 - 75 for display elements.
 Select and specify elements and quantities required



The dimensions of the system

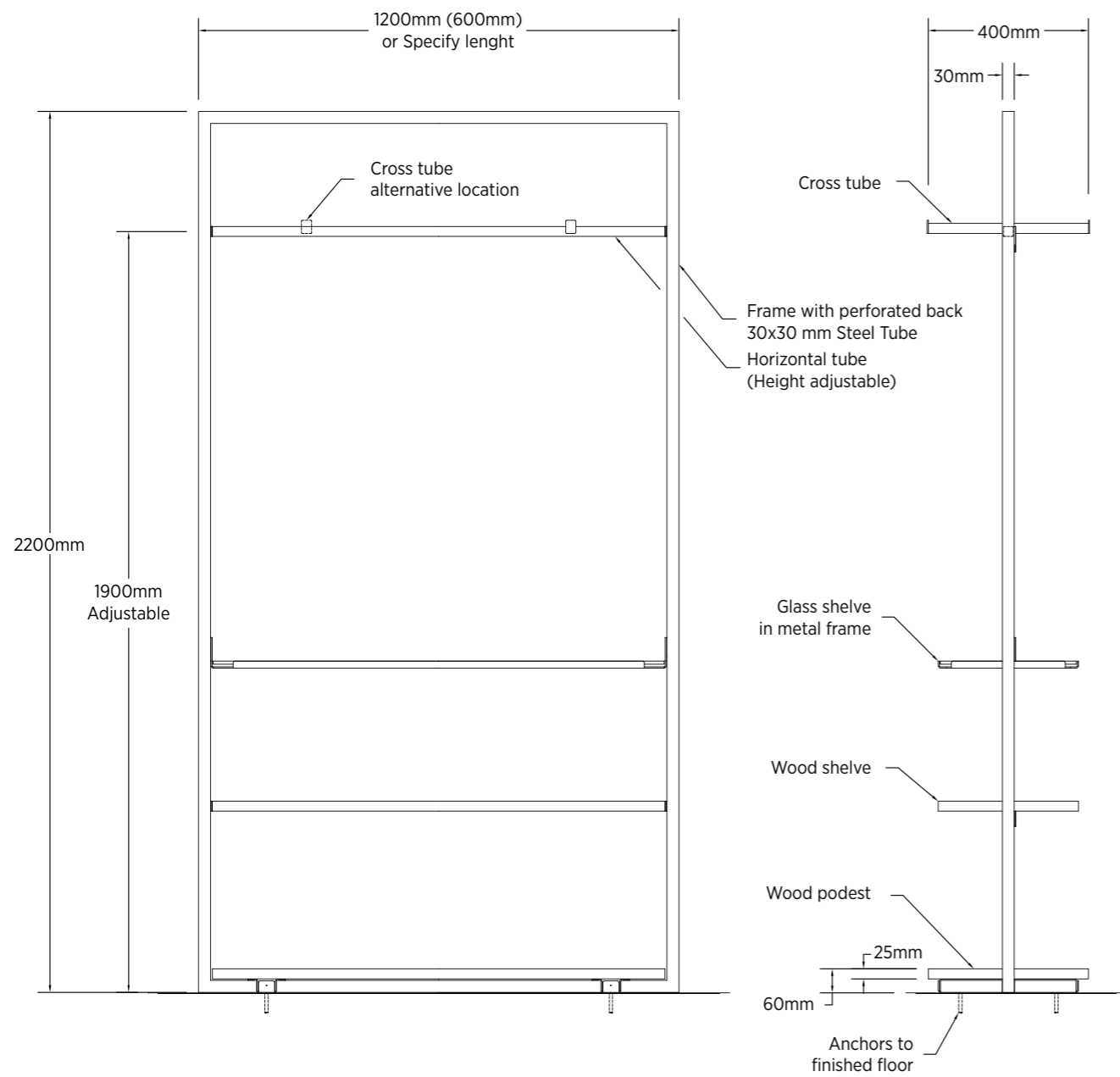
and combinations of display elements are adaptable to any store window or interior. Partition shelving systems can be also used as window exhibition system.



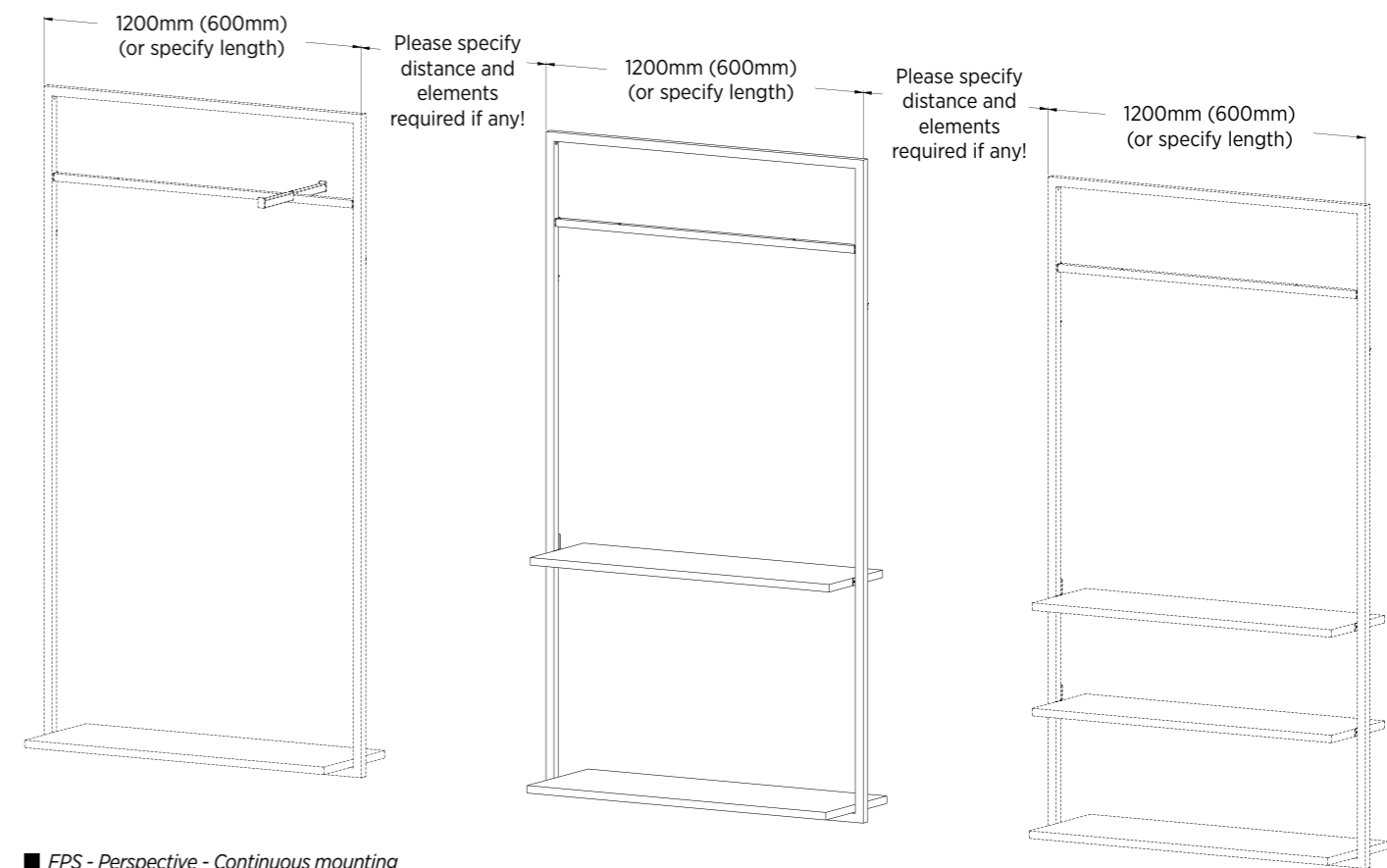
■ FPS - Option 1, HT - CT



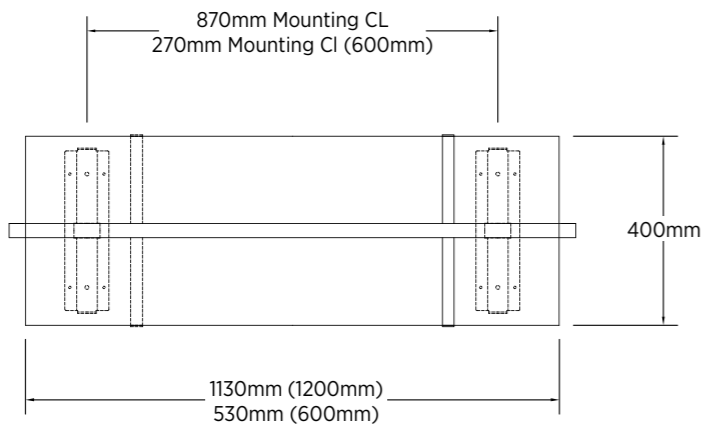
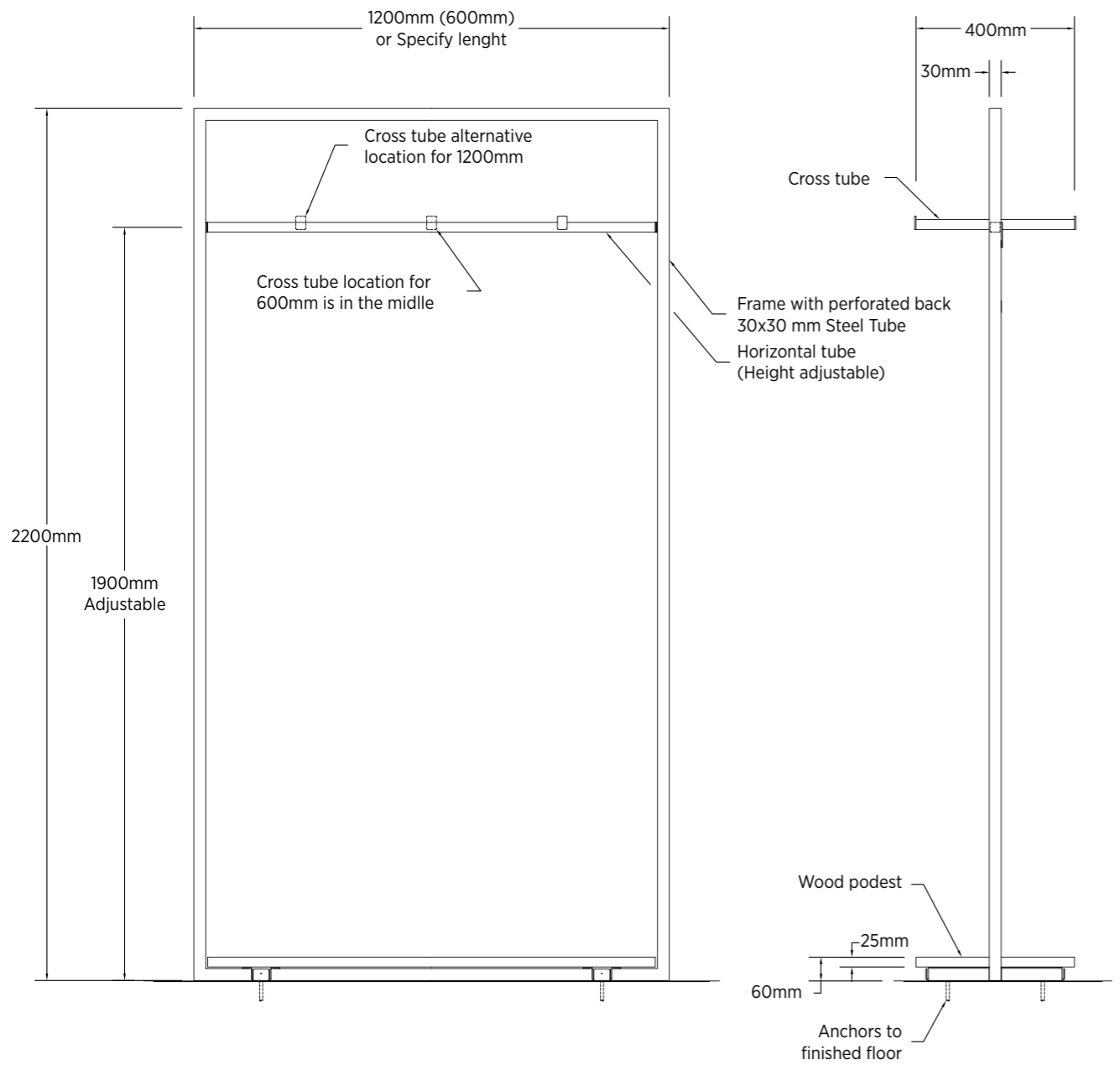
Combination - Example
 - Horizontal tube
 - Cross tube
 - Glass shelf
 - Wood shelf



ALM manufactures unique shelving systems with movable, height - adjustable shelves and clothing rails for exhibiting clothes, uniforms and other products in retail stores and boutiques.



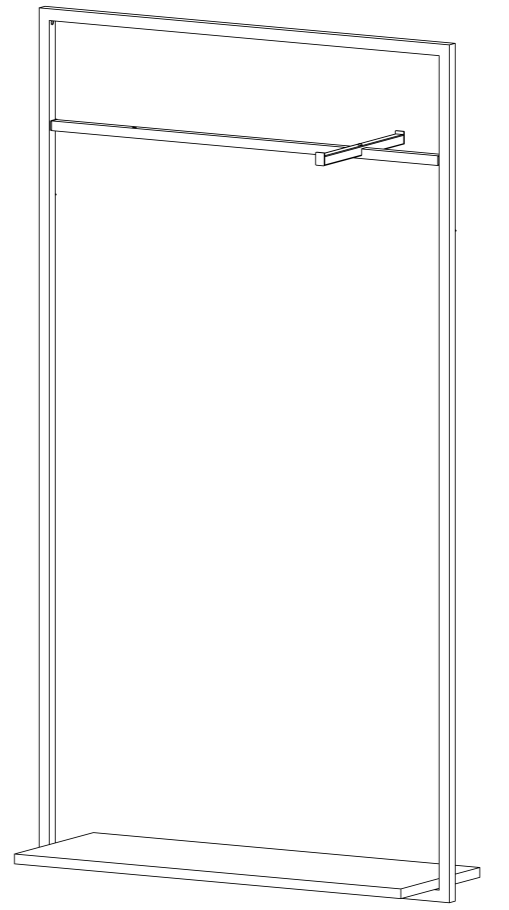
Option
 - Horizontal tube
 - Cross tube



■ FPS - Option 1, HT - CT



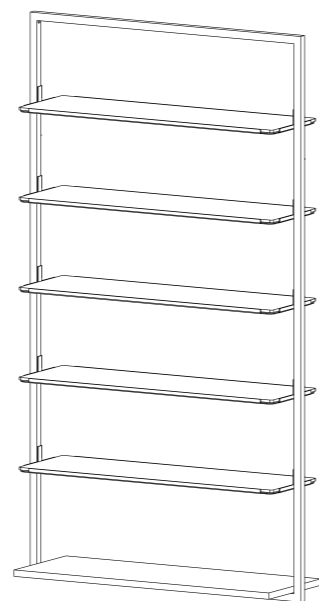
Frame system ensures that your space is highly aesthetic, stylishly recognizable, functional and perfectly tailored to the needs of your business.



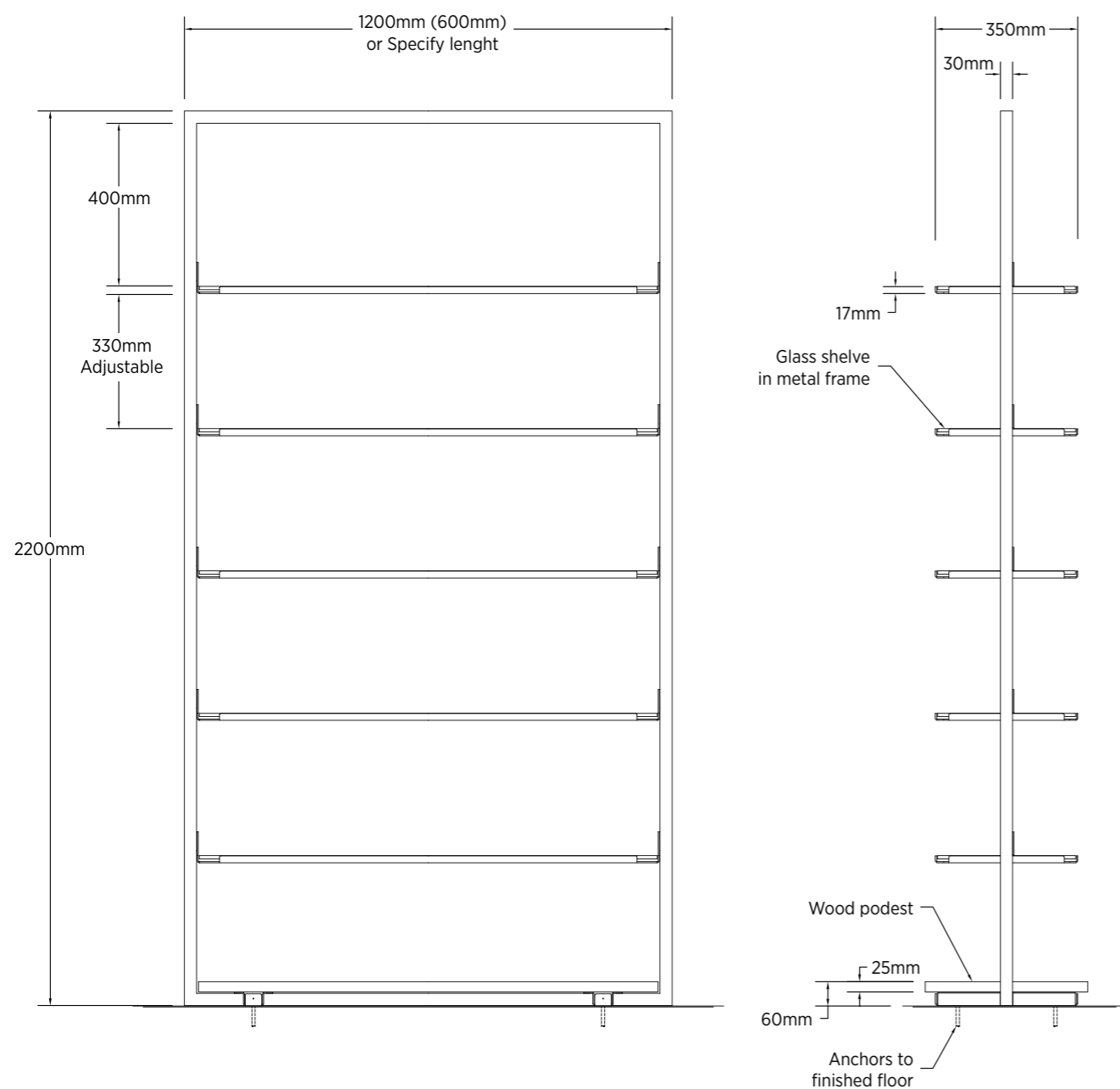
■ FPS - Option 1, HT - CT



Option
- Glass shelves x 5



■ FPS - Option 2, GM



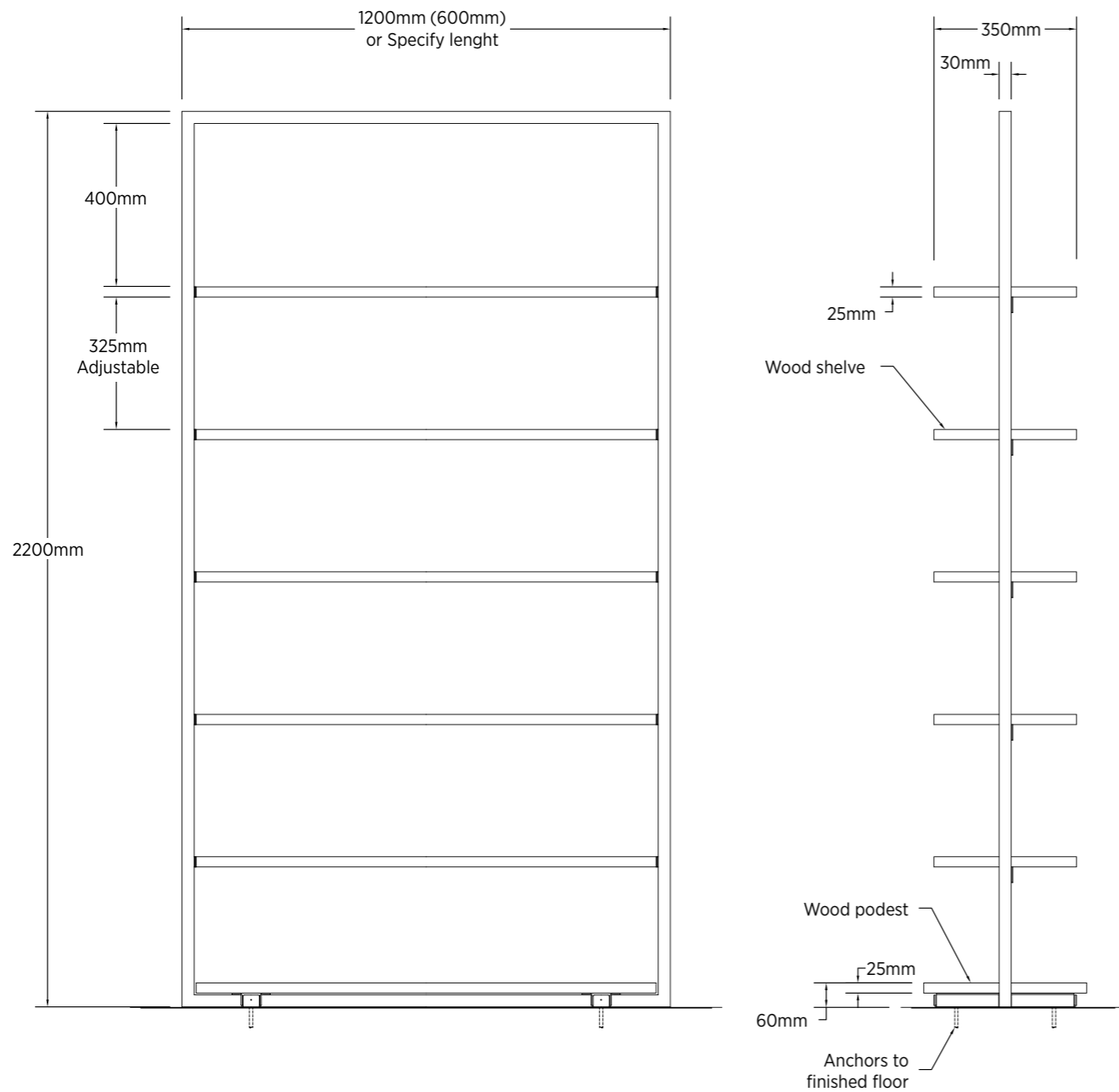
■ FPS - Option 2, GM



Option
- Wood shelve x 5



■ FPS - Option 3, WS



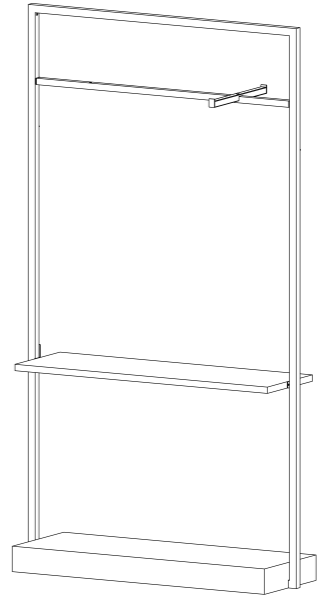
■ FPS - Option 3, WS



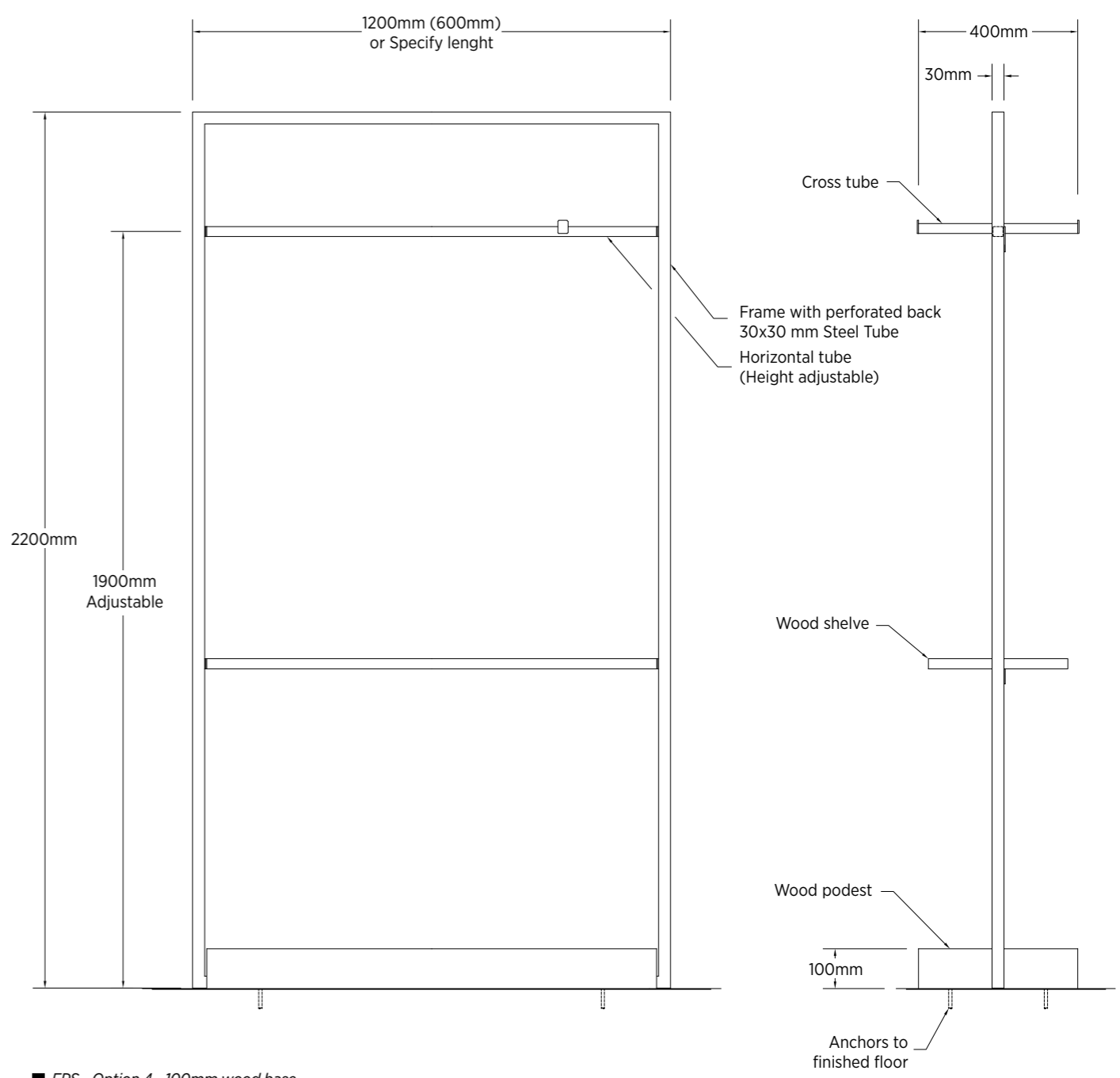


**100 mm Fabricated wood base
Combination - Example**

- Horizontal tube
- Cross tube
- Wood shelf



■ FPS - Option 4 - 100mm wood base



■ FPS - Option 4 - 100mm wood base

FWS – Wall shelving systems



DESIGNATION / ORDERING CODES

Item description: Frame wall system, 600mm long, Painted Black, 25mm wood base, Wood base - Black, No lighting.

FWS - 600 - 2 - 1 - 2 - x
1 2 3 4 5 6

1 FWS : Wall shelving systems

2 Frame length:
- 600 mm
- 1200 mm
- Please specify custom length if required

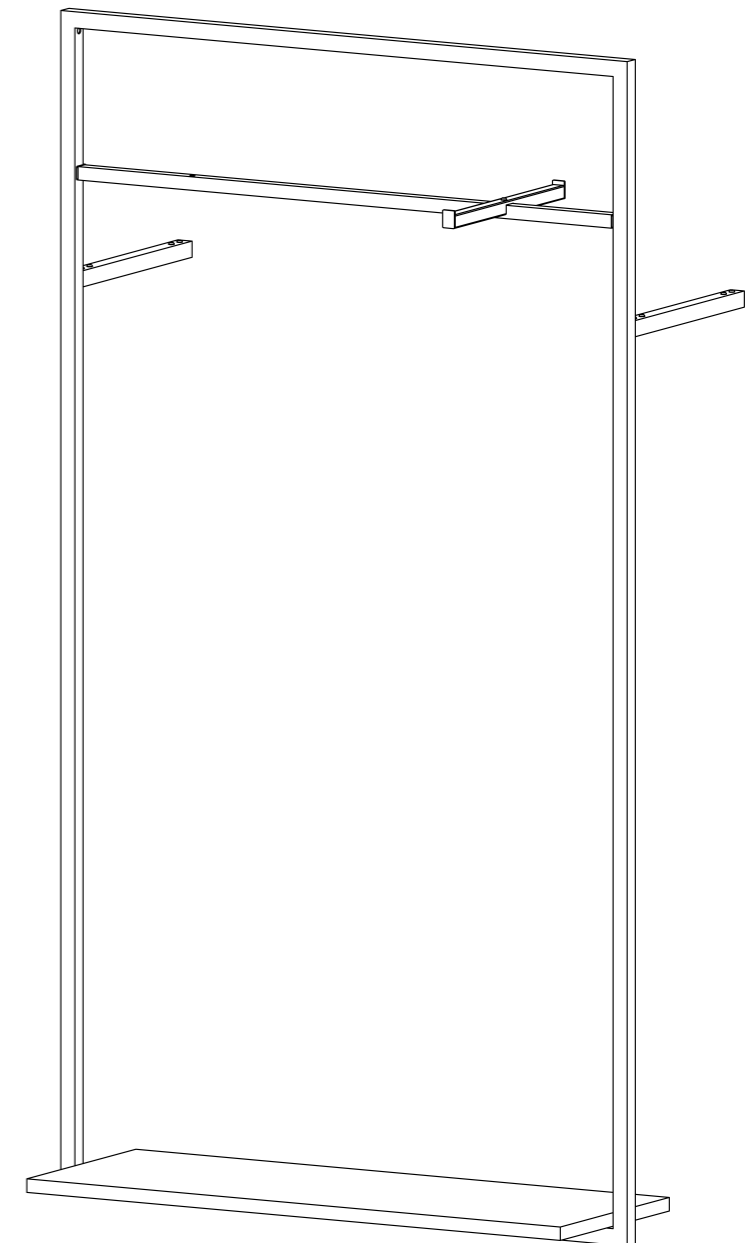
3 Surface finish options:
1: Raw/unfinished
2: Black (RAL 9005 matte)
3: White (RAL 9010 matte)
4: Anthracite (RAL 7016 matte)

4 - Wood base (Podest)
1: 25mm thick
2: 100mm fabricated wood base

5 Wood base (Podest) material
1: White Wood - Matte
2: Black Wood - Matte
3: Wood pattern
* Please consult the factory or specify desired material

6 - Lighting
1: 10 Watt / meter, 4000K LED board
2: 20 Watt / meter, 4000K LED board
x: Not required

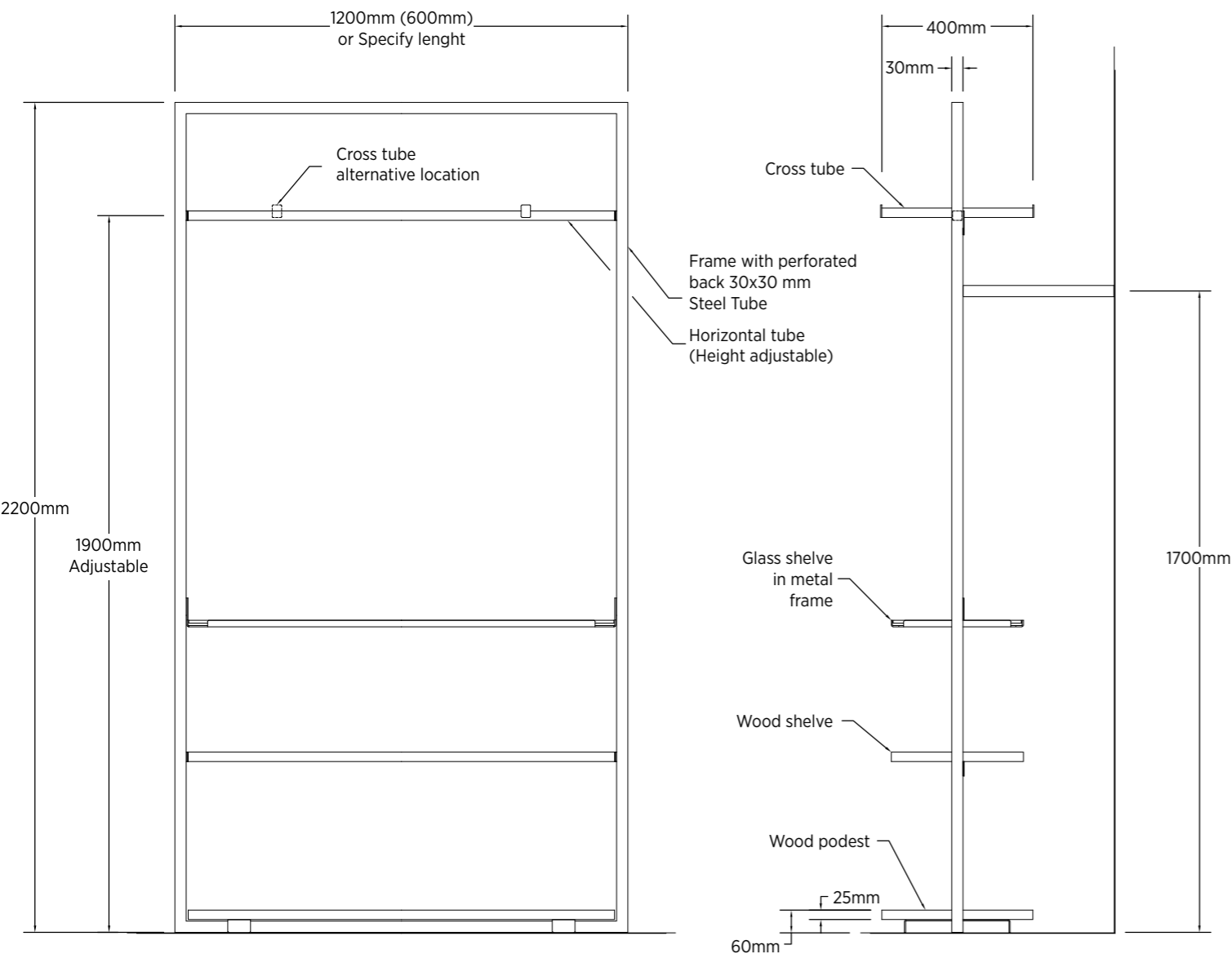
Note:
Please see pages 64 - 75 for display elements.
Select and specify elements and quantities required



■ FWS - Option 1, HT - CT

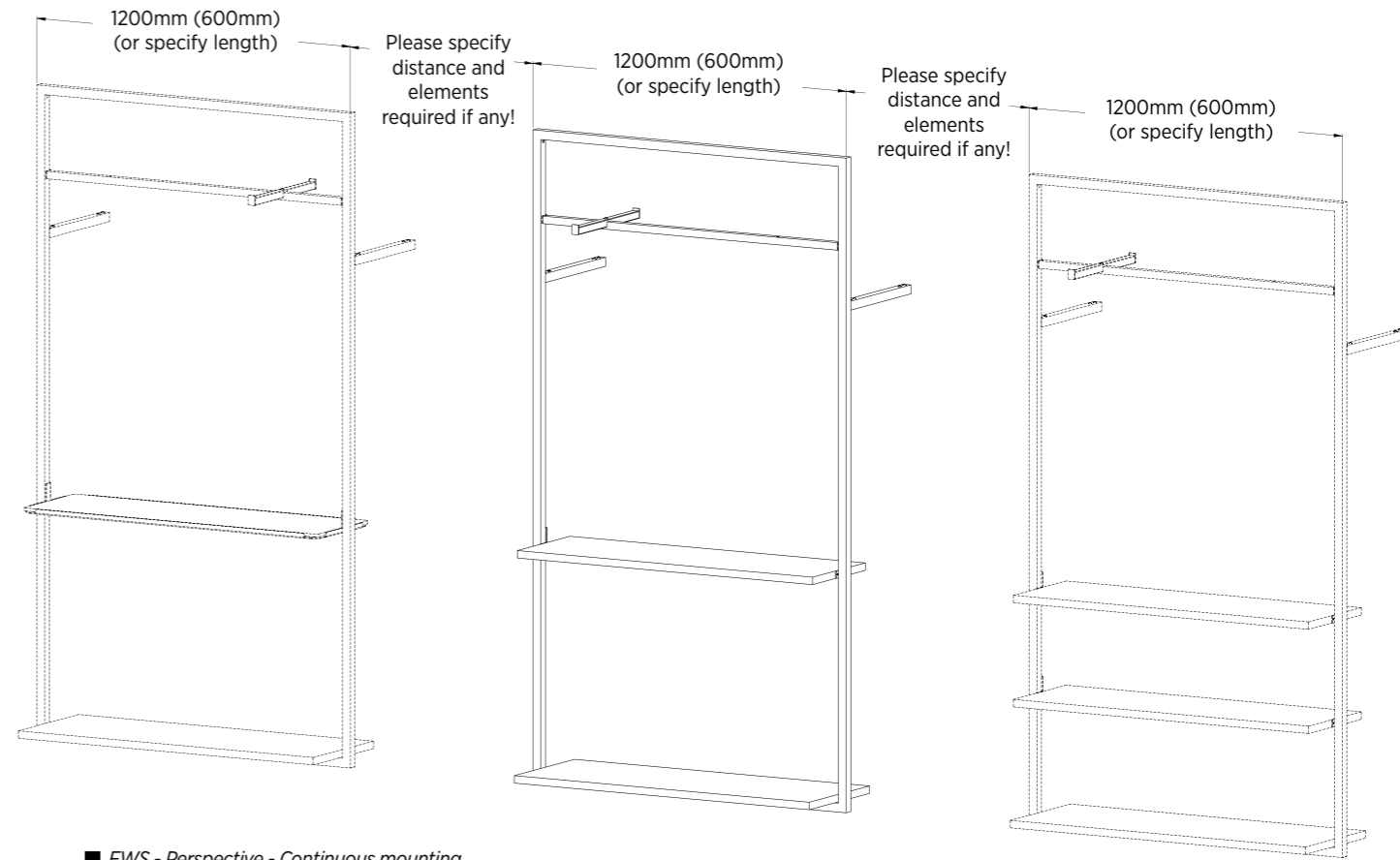
The system is easily installed on to a wall surface with a wide choice of shelves (wooden or glass) and rails for clothing that can be organized in numerous ways according to client's needs.

Combination - Example
 - Horizontal tube
 - Cross tube
 - Glass shelf
 - Wood shelf



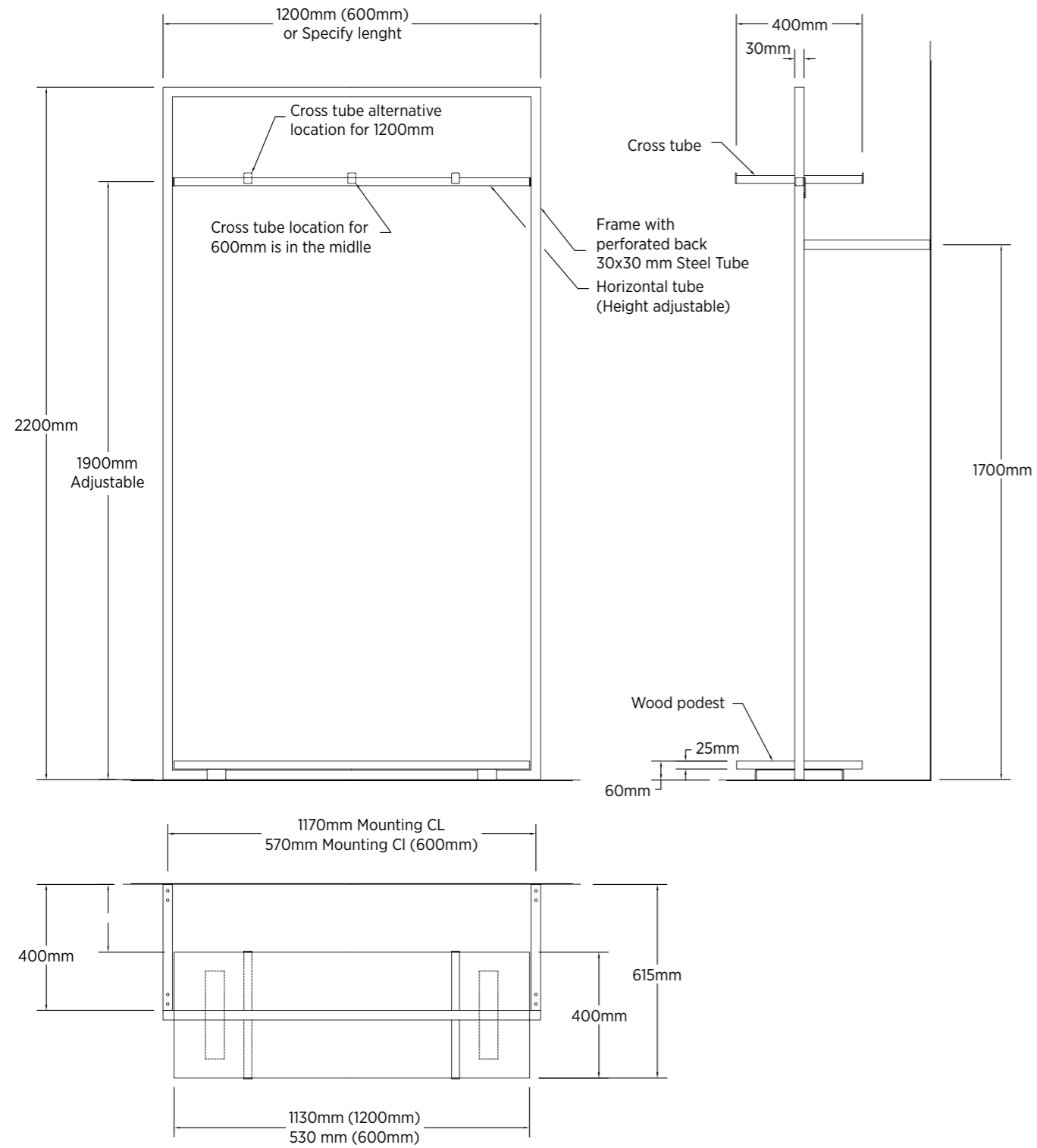
■ FWS - Combination

The dimensions of the system and combinations of display elements are adaptable to any interior.

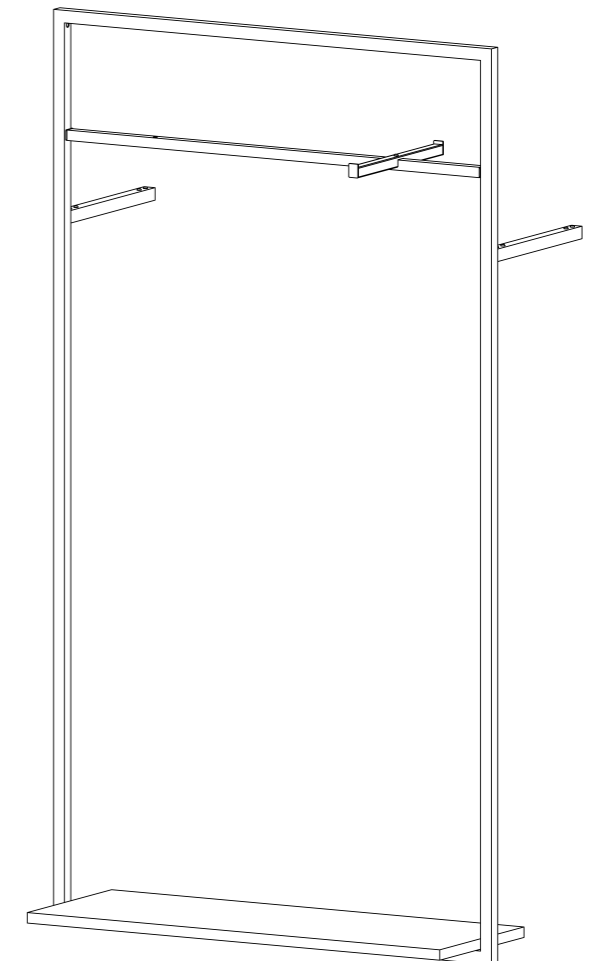


■ FWS - Perspective - Continuous mounting

- Option**
 - Horizontal tube
 - Cross tube



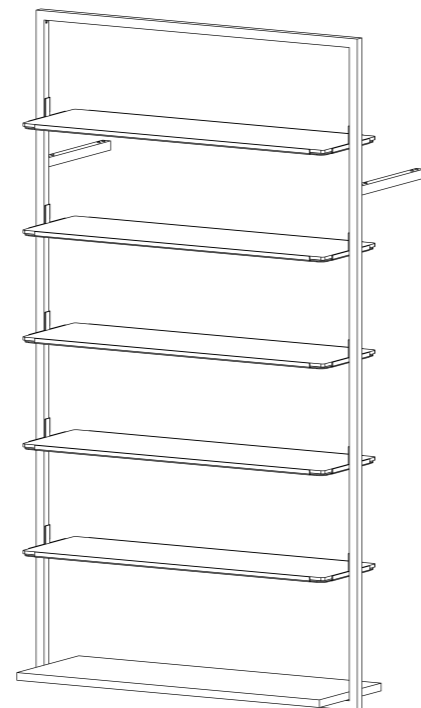
We can deliver a unique store fitting experience with high functionality and maximum use of retail space. The dimensions of the system and combinations of shelves are adaptable to any client's vision or project.



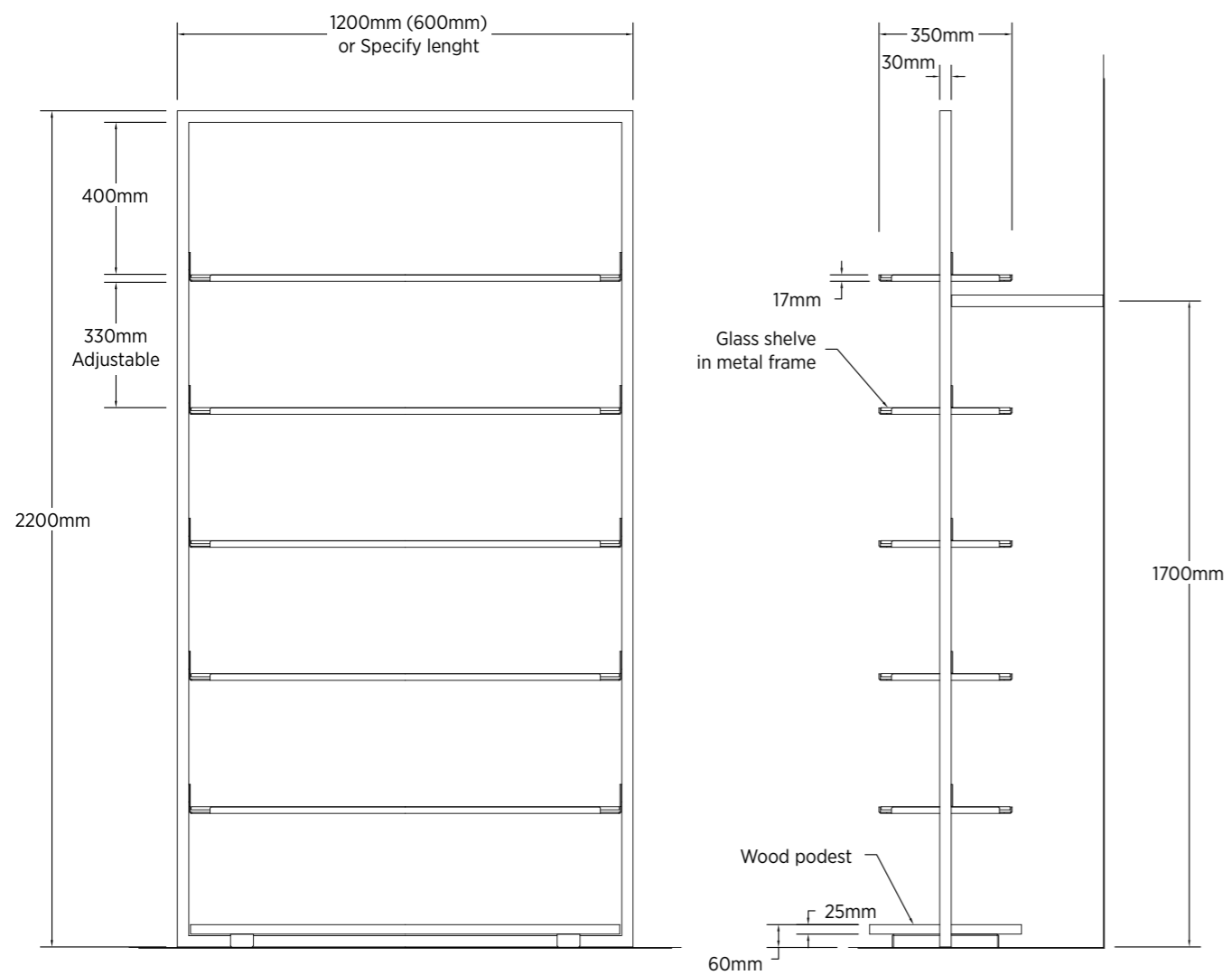
■ FWS - Option 1, HT - CT

■ FWS - Option 1, HT - CT

Option
- Glass shelves x 5



■ FWS - Option 2, GM



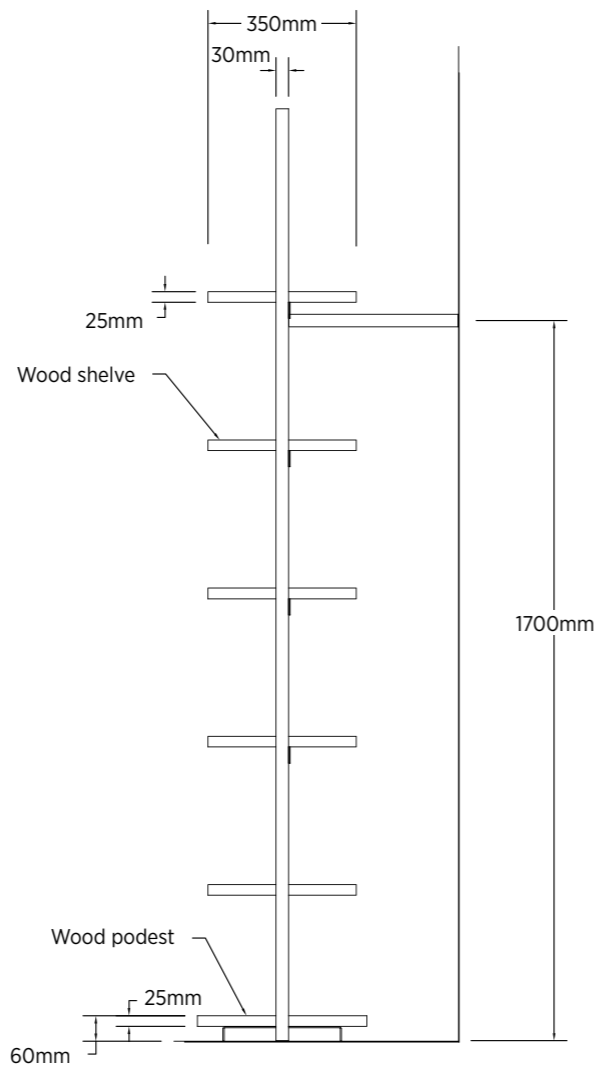
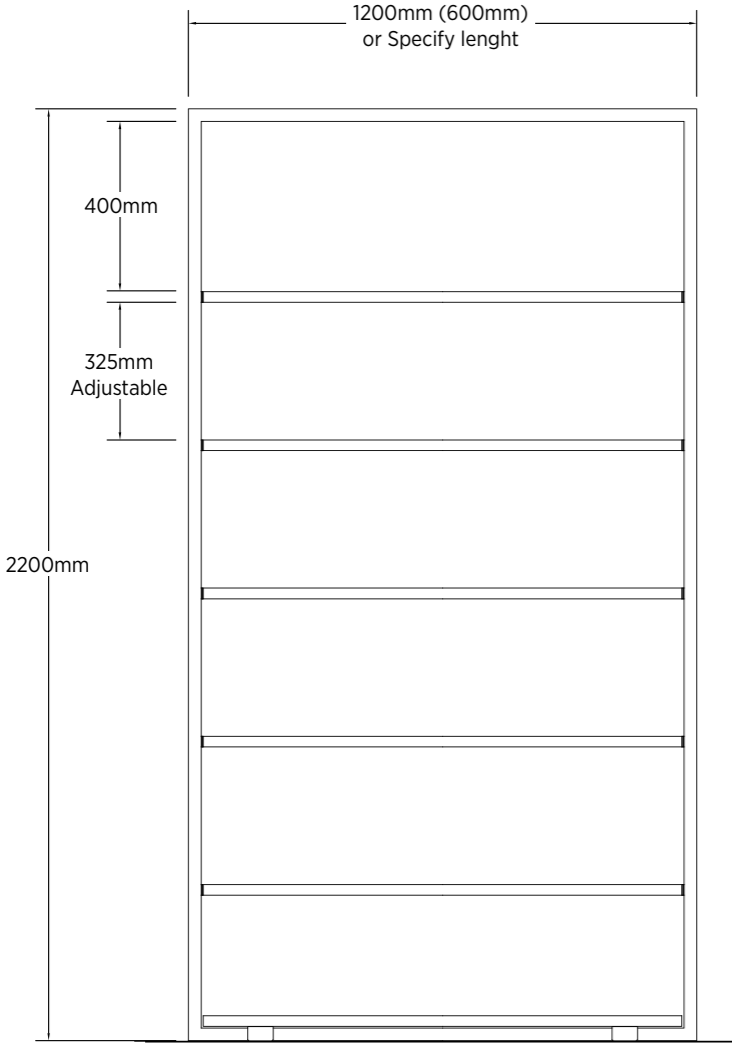
■ FWS - Option 2, GM



Option
- Wood shelve x 5



■ FWS - Option 3, WS



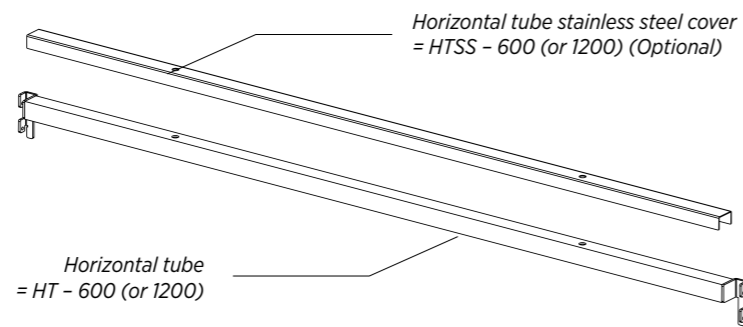
■ FWS - Option 3, WS



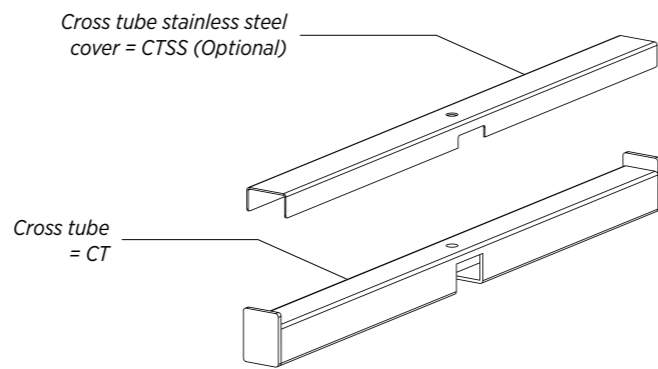
Display elements for FRAME shelving systems

Select width of the display elements based on selected axial distance between vertical rails. Specify 600 or 1200mm. Or select your width of the system.

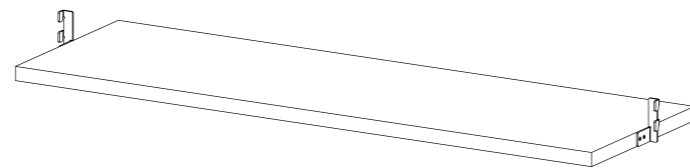
Horizontal tube = HT – 600 (or 1200)



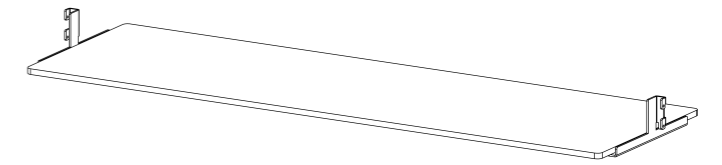
Cross tube = CTSS



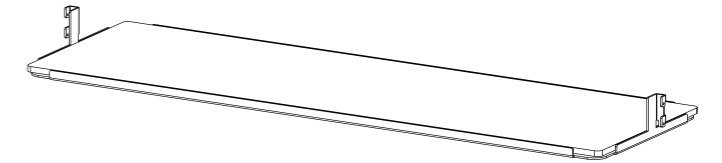
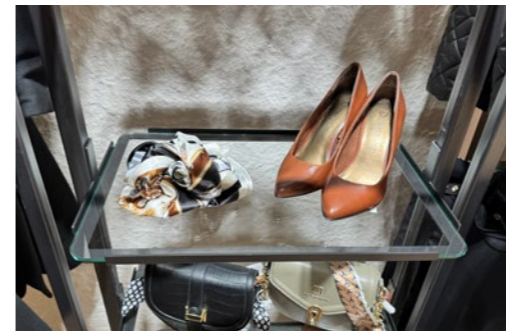
Wood shelve = WS – 600 (or 1200)



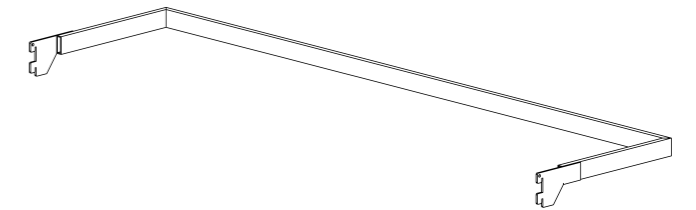
Glass shelve = GS – 600 (or 1200)



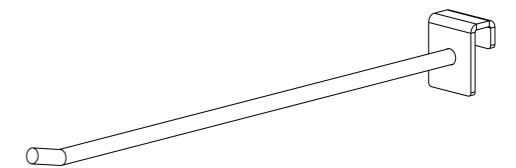
Glass shelve in metal frame = GM – 600 (or 1200)



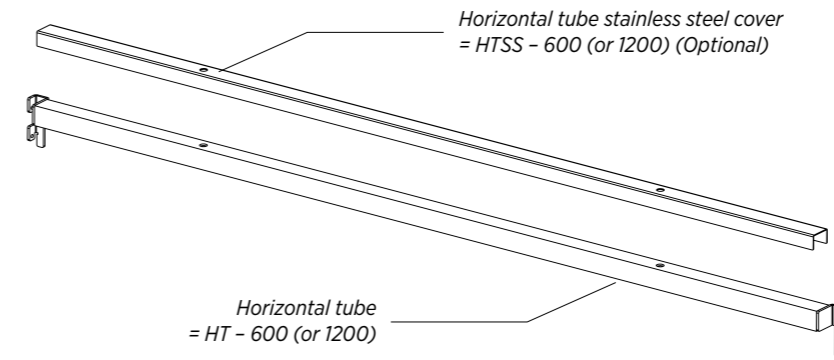
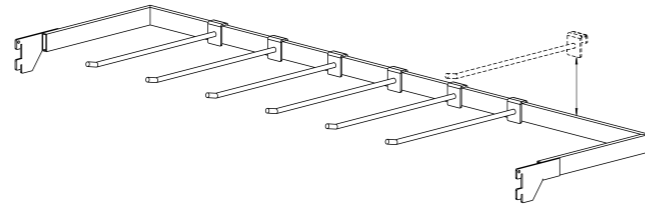
Back tube for hanger = BT – 600 (or 1200)



Hanger 20 = H20



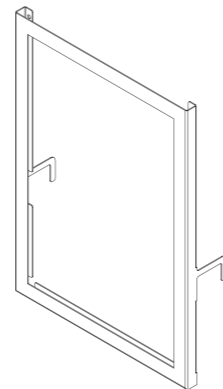
BT – 600 (or 1200) + H20



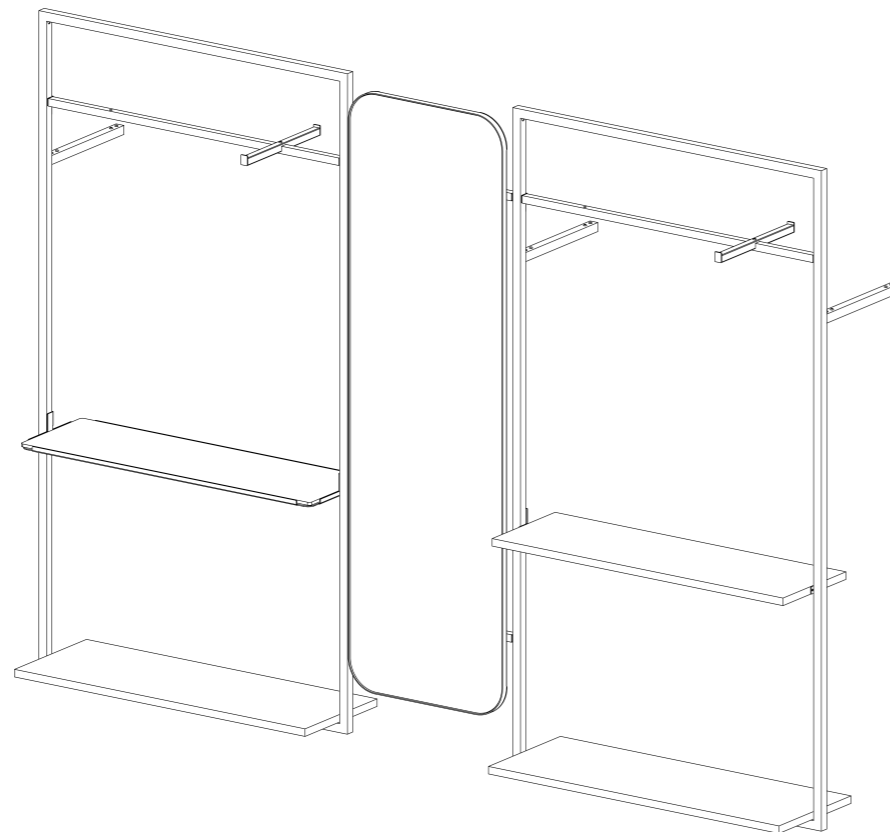
Horizontal tube = HT – 600 (or 1200)

- 25 x 25mm Steel Tube
- 0.8mm Stainless Steel cover
- Please specify length required

Metal frame for advertisement = AD



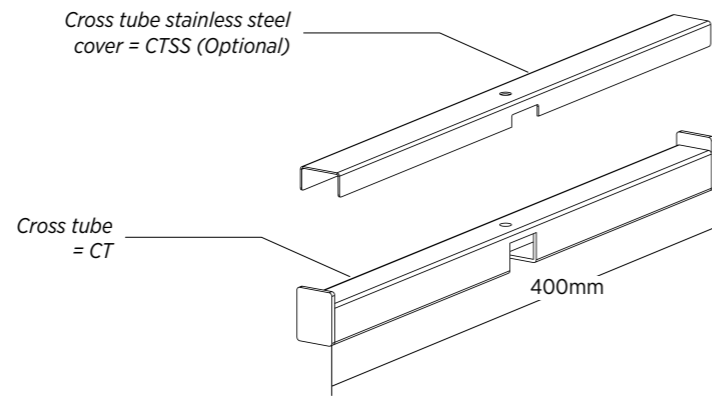
Mirror = custom



■ HT – 600 (or 1200)



Cross tube = CT

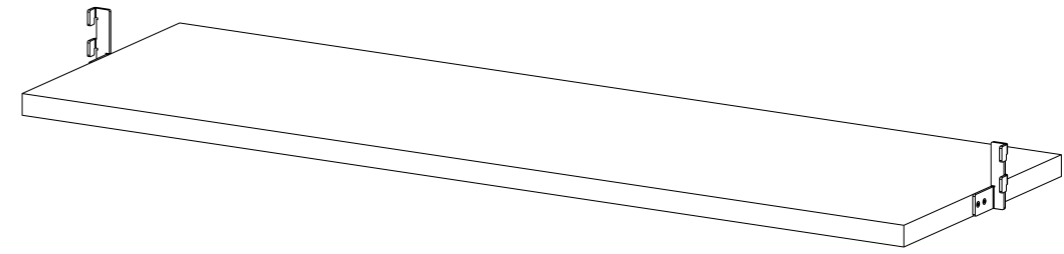


- 25 x 25mm Steel Tube
- 0.8mm Stainless Steel

■ CT



Wood shelf = WS - 600 (or 1200)

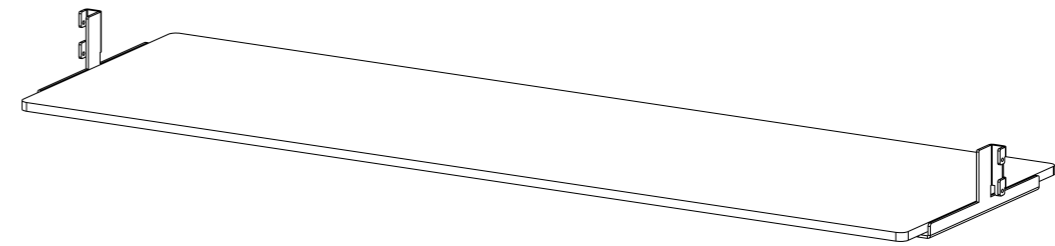


■ WS - 600 (or 1200)



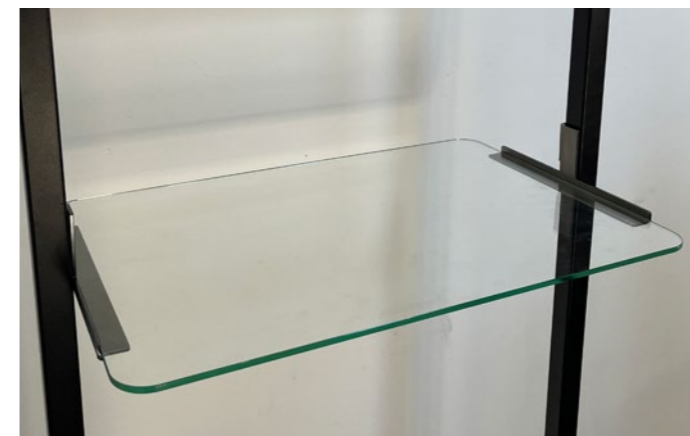
Wood material
- 25mm thick wood board
1 : White Wood - Matte
2 : Black Wood - Matte
3 : Wood pattern - Matte
* Please consult the factory or specify desired material for wood base.
* Please specify length required

Glass shelf = GS - 600 (or 1200)



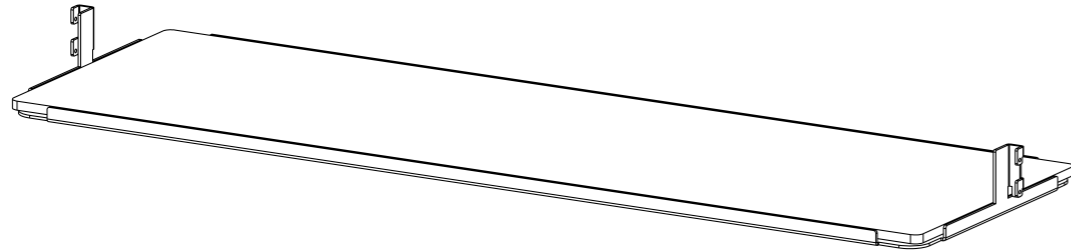
- 8mm thick tempered clear glass
- Please specify length required

■ GS - 600 (or 1200)



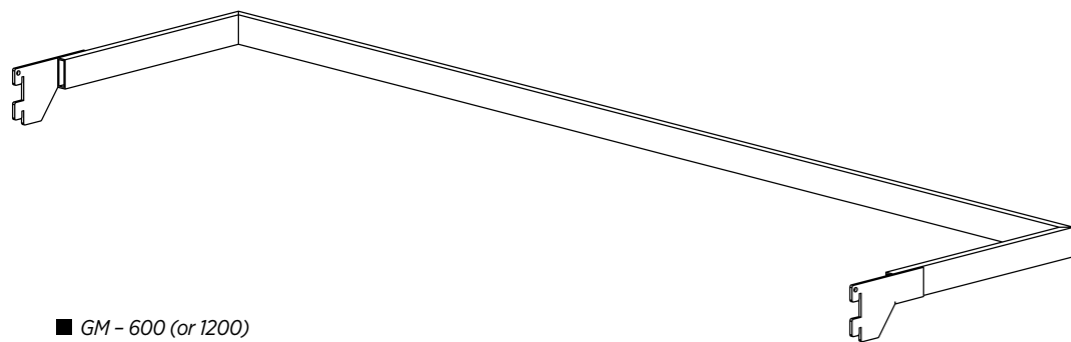
**Glass shelf
in metal frame =
GM – 600 (or 1200)**

- 8mm thick tempered clear glass with 3mm thick metal frame
- Please specify length required



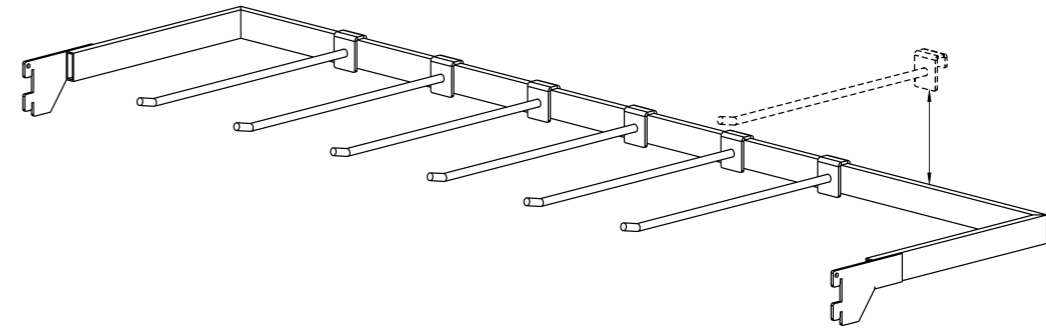
**Back tube for
hanger = BT – 600
(or 1200)**

- 10 x 30mm Steel Tube
- Please specify length required



■ GM – 600 (or 1200)

BT – 600 (or 1200) + H20

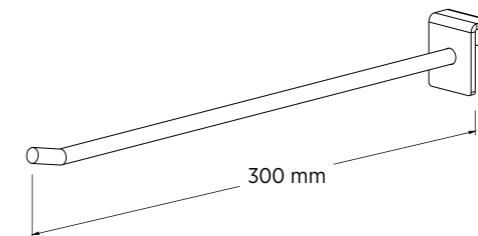


* Specify number of Hanger 20 = H20 elements required

■ BT – 600 (or 1200)

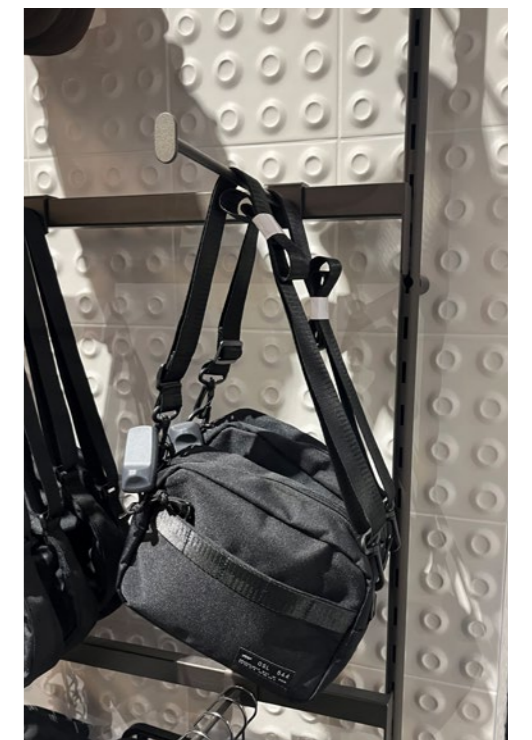


Hanger 20 = H20

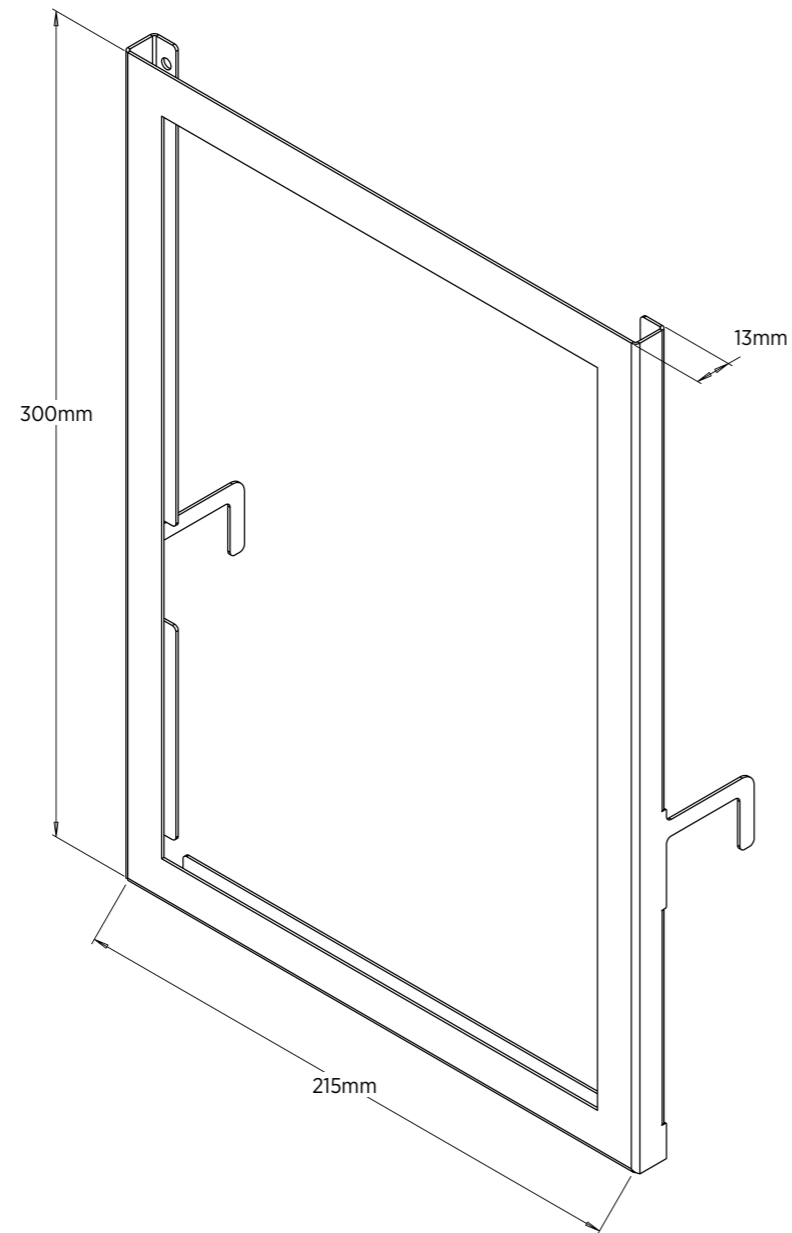


8mm Diameter Steel rod

■ H20



Metal frame for advertisement = AD



Hook on 1mm thick metal frame for advertisement
 - A4 size
 * Please consult the factory or advise size required

■ AD



Mirror = custom



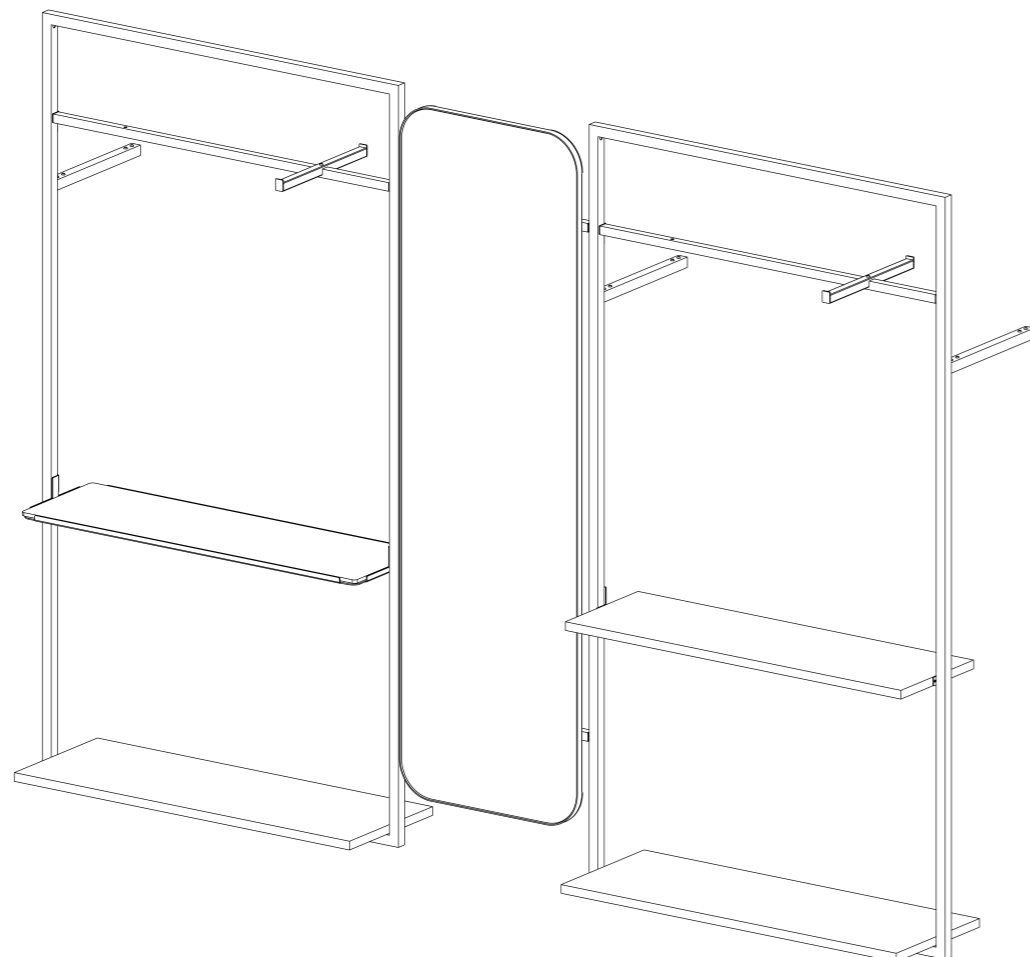
Surface finish options

- 1 : Raw/unfinished
- 2 : Black (RAL 9005 matte)
- 3 : White (RAL 9010 matte)
- 4 : Anthracite (RAL 7016 matte)

Note:

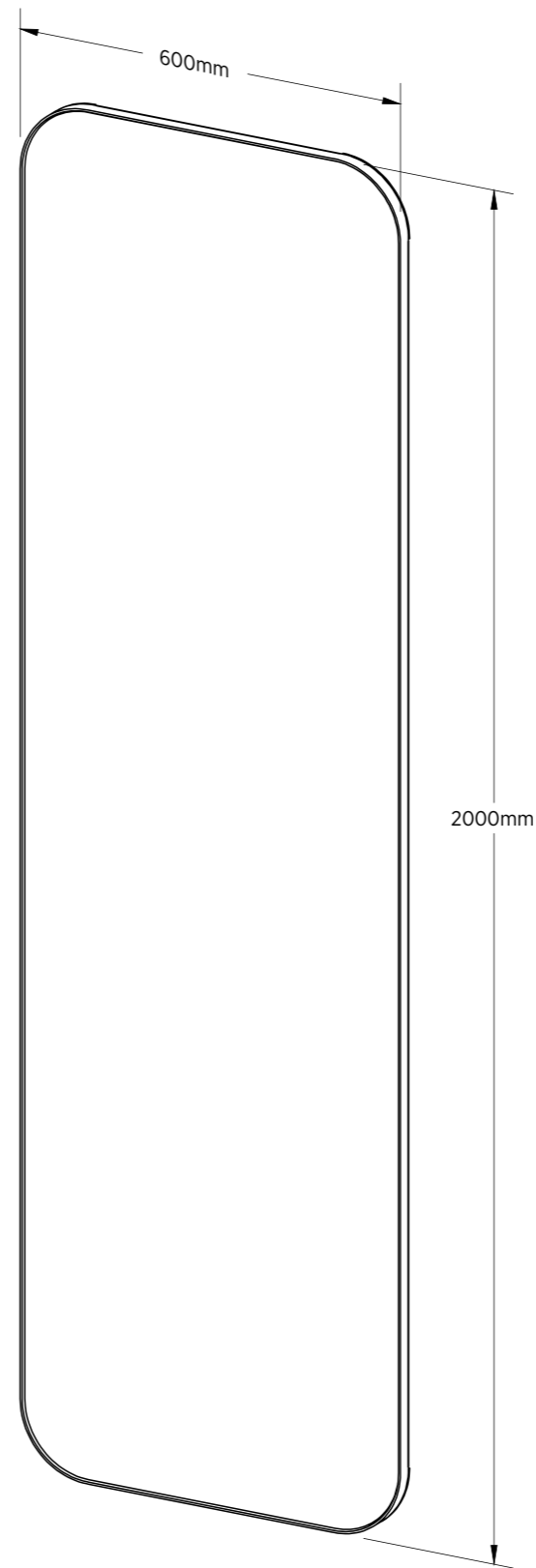
If not noted otherwise, display elements will be provided in the same finish as specified for the system.

Please consult the factory if any architectural or advertising elements are required. We can incorporate - to be part of the system.

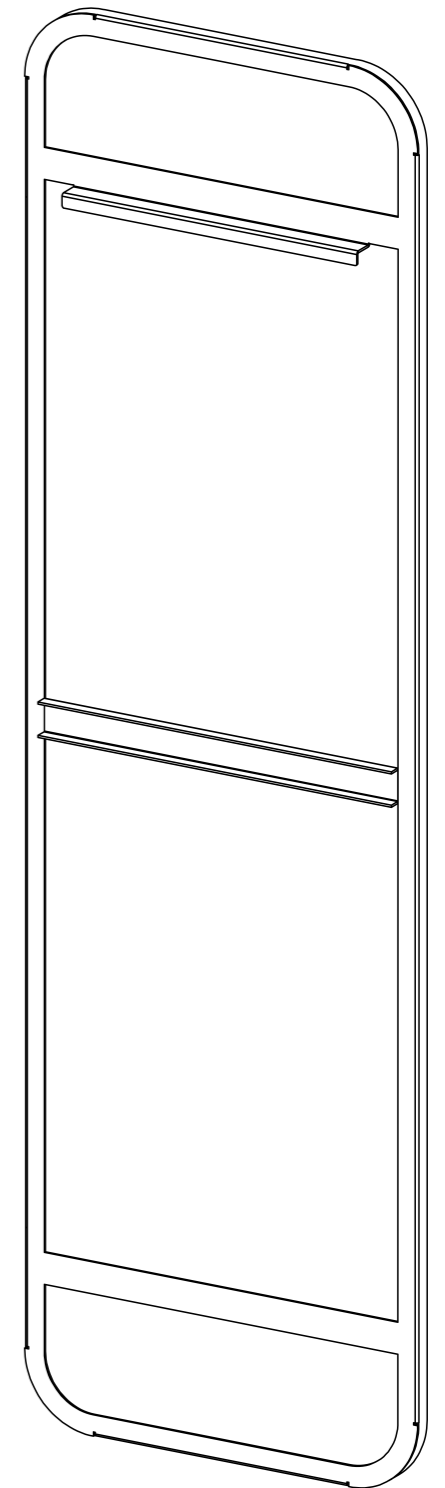


■ Custom - Mirror

Front



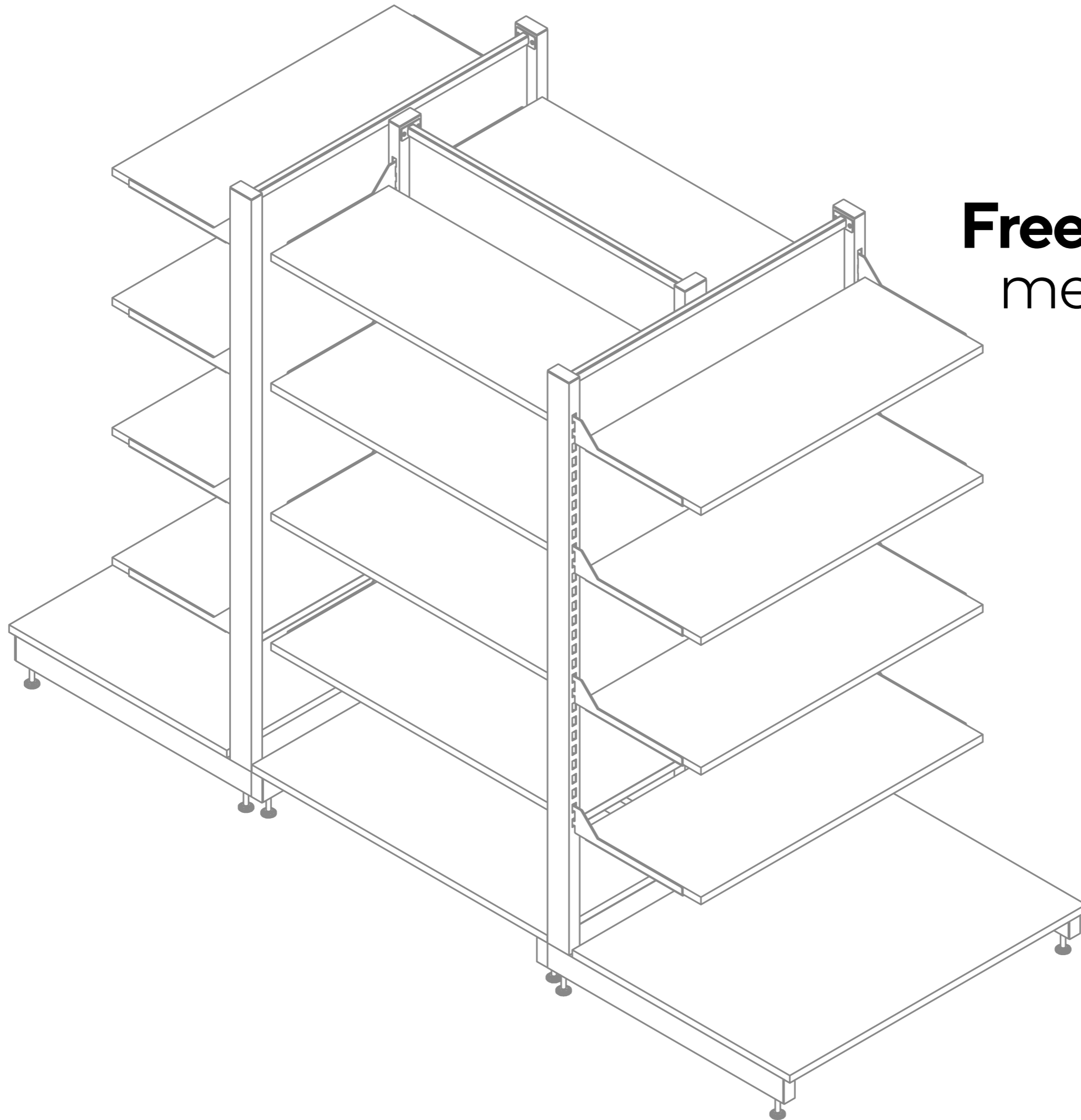
Back



Surface finish options

- 1 : Raw/unfinished
- 2 : Black (RAL 9005 matte)
- 3 : White (RAL 9010 matte)
- 4 : Anthracite (RAL 7016 matte)

■ FWS - Custom - Mirror



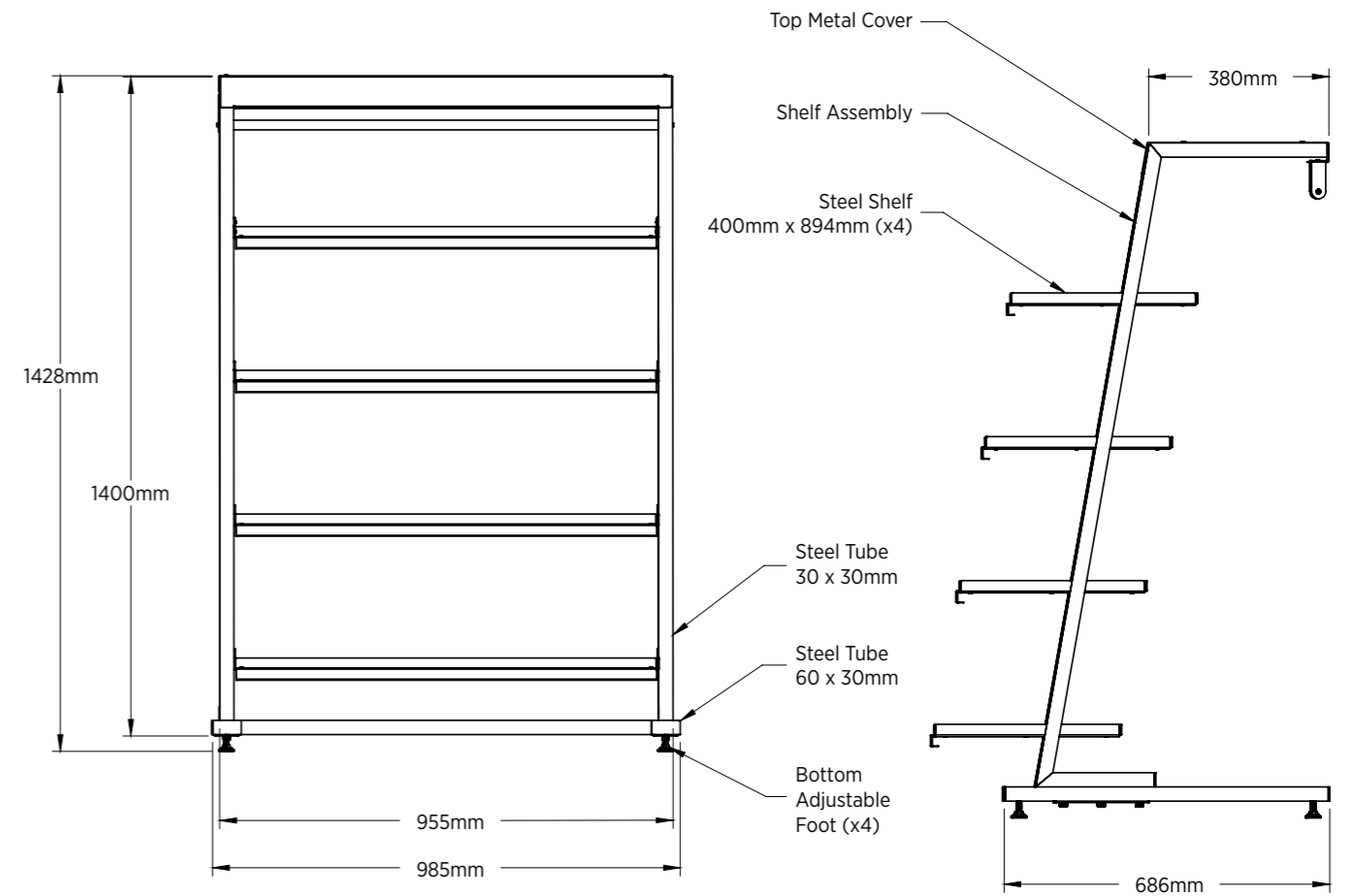
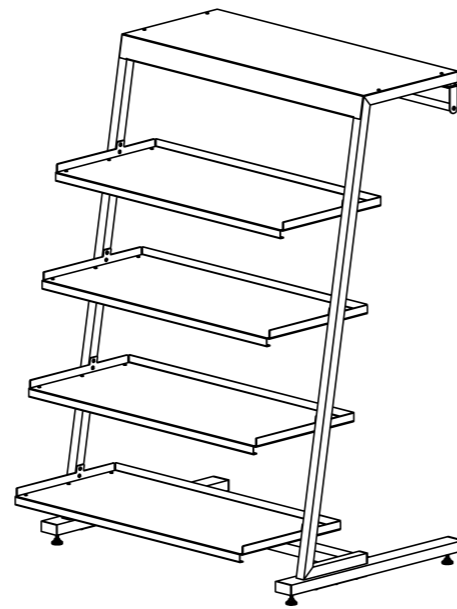
Freestanding
metal retail
shelving

Surface finish options

- 1 : Raw/unfinished
- 2 : Black - RAL 9005 (matte)
- 3 : White - RAL 9010 (matte)
- 4 : Anthracite - RAL 7016 (matte)

Freestanding metal retail shelving

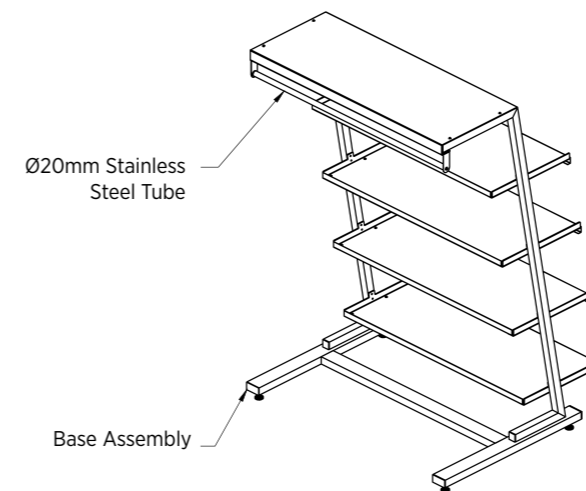
We deliver an aesthetic, innovative and effective solution for displaying clothing, footwear and accessories. The solutions are highly functional, durable and adaptable to any dimension required.



Assembly 64



The combination of metal finishes achieves unique look of the product.





Our products combine fashion and luxury with practicality, adding a modern touch to your clothing store. Delivering shelving that are both fashionable and durable. Customization can be done according to store size and needs, presenting the best result.

Wood material

- 18mm thick wood board

- 1: White Wood - Matte
 - 2: Black Wood - Matte
 - 3: Wood pattern - Matte
- * Please consult the factory or specify desired material.

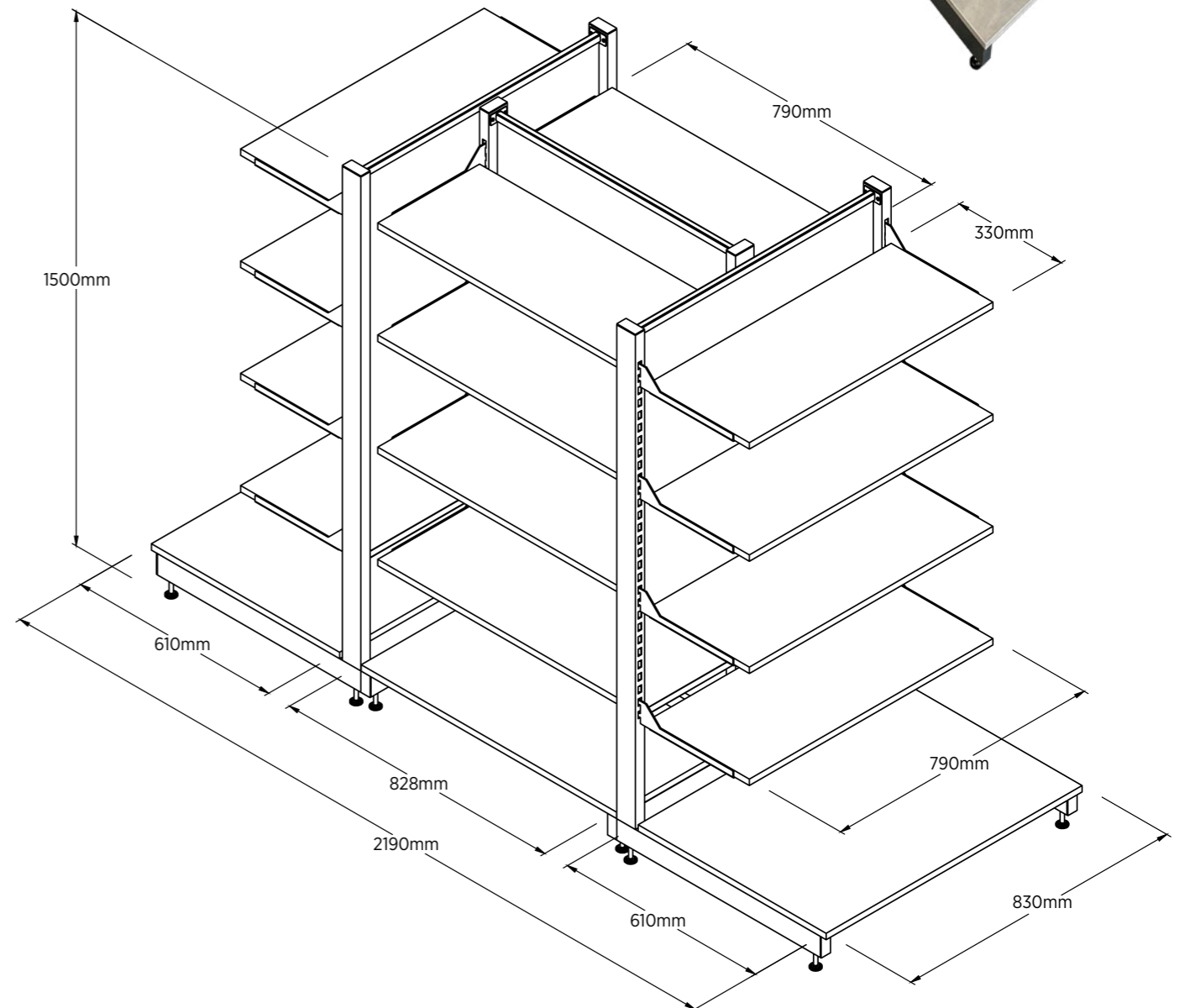
Surface finish options

- 1: Raw/unfinished
- 2: Black - RAL 9005 (matte)
- 3: White - RAL 9010 (matte)
- 4: Anthracite - RAL 7016 (matte)



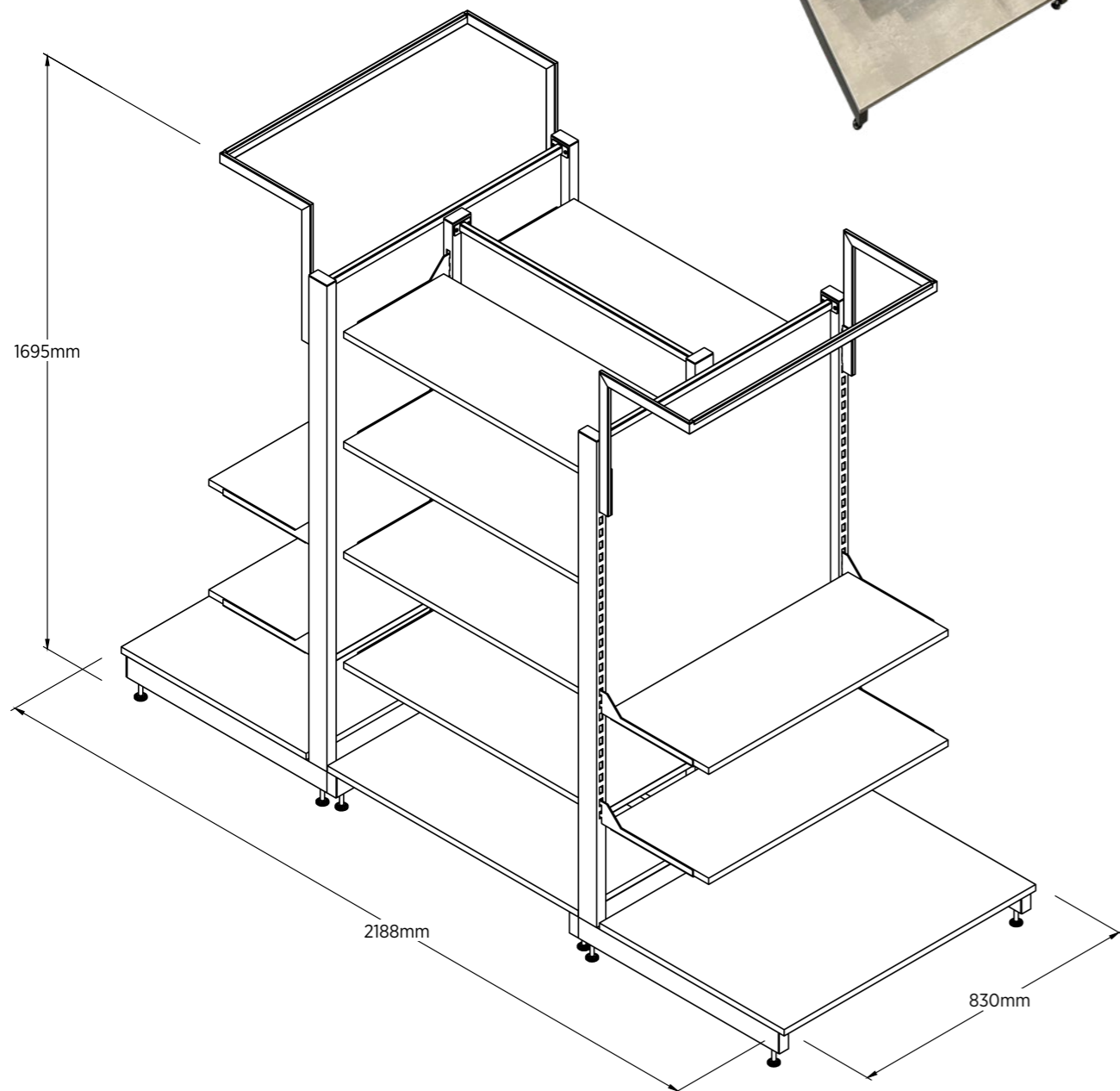


We manufacture high quality metal furnishings and elements with options of combinations with wood, chipboard, glass, and other composite materials.

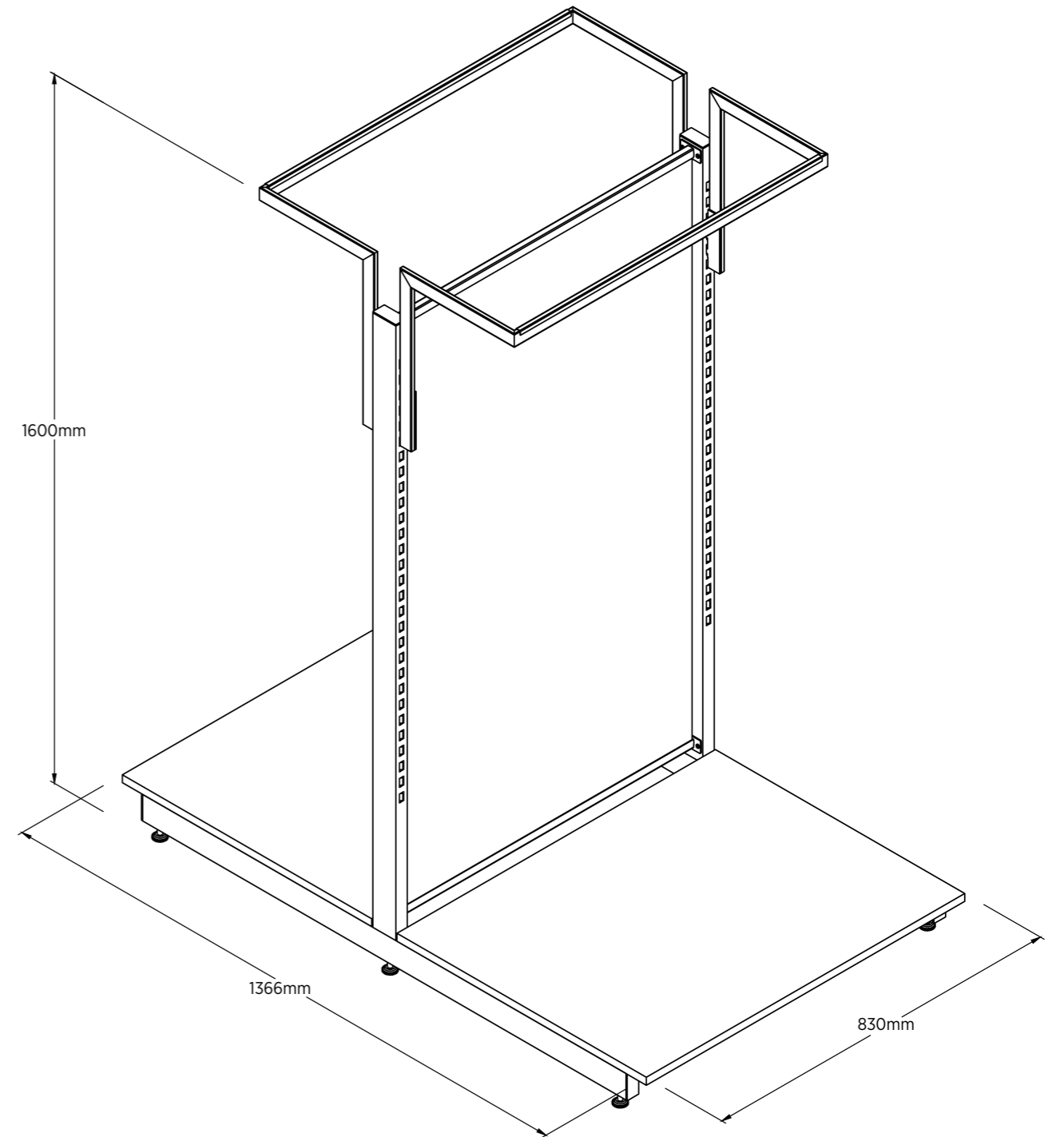




You can modify existing design or create your own shelving system. Customization can be done according to store size and needs, presenting the best result.



■ Assembly 72 - 2 shelves and hanger support

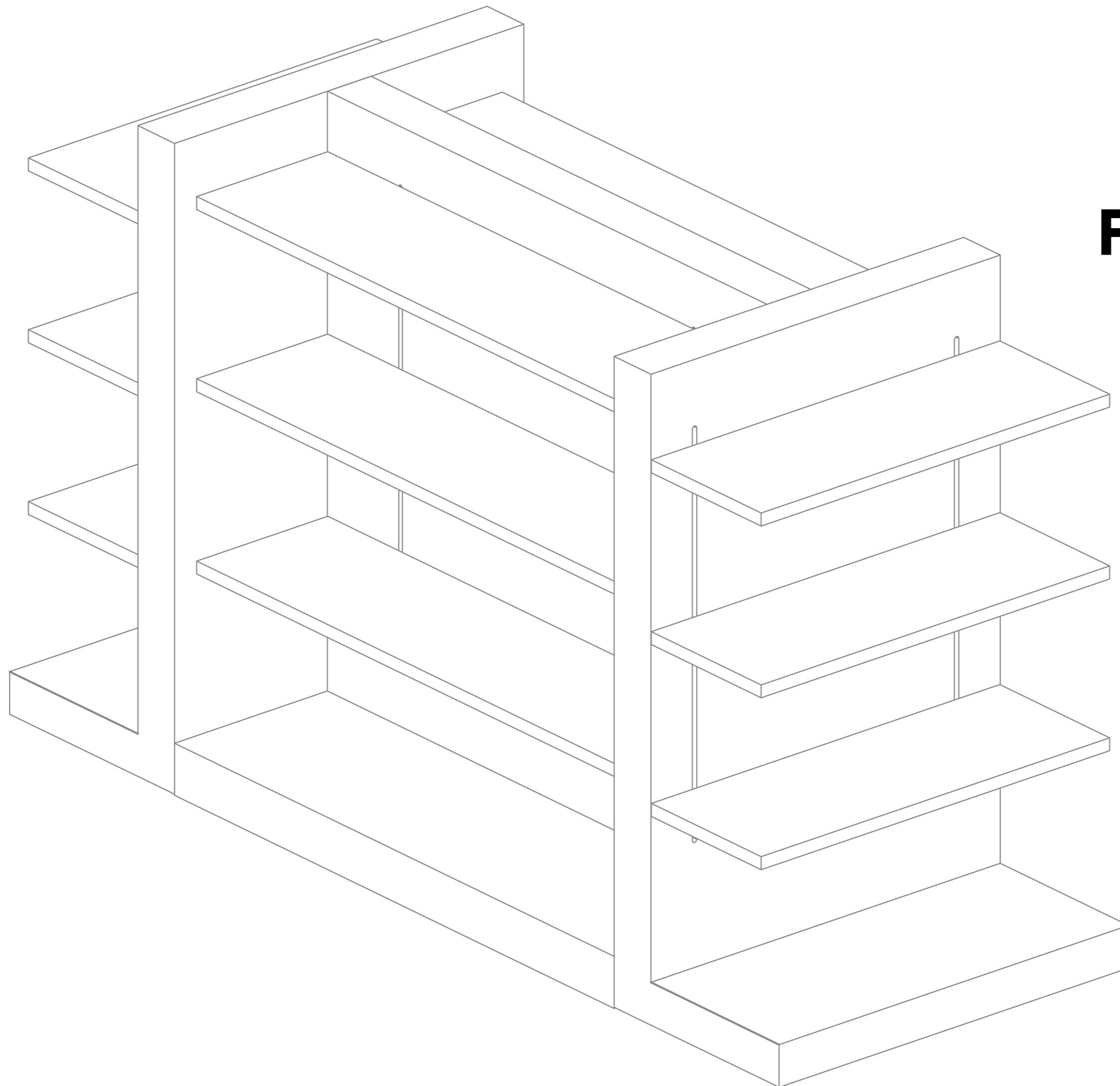


■ Assembly 72 - no shelves hanger support only

Freestanding metal retail shelving - Custom

For exhibiting miscellaneous products, we deliver modern shelving solutions of the highest quality and aesthetic. The solution is highly functional and adaptable to any dimension required.





Freestanding wood retail shelving

Freestanding wood retail shelving

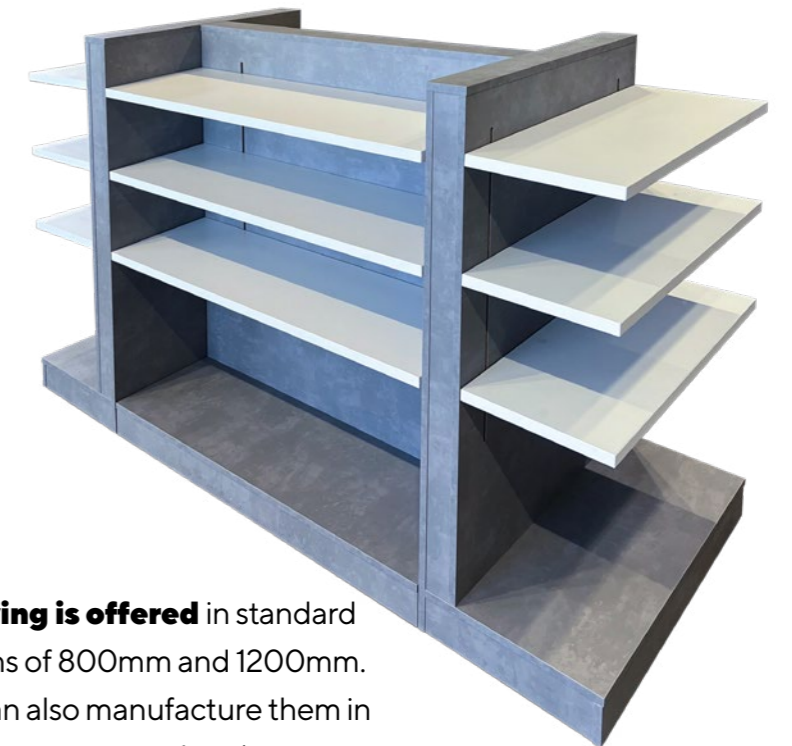
ALM manufactures unique shelving systems with movable, height - adjustable shelves for exhibiting clothes, shoes and other products in retail stores and boutiques.

Assembly 75

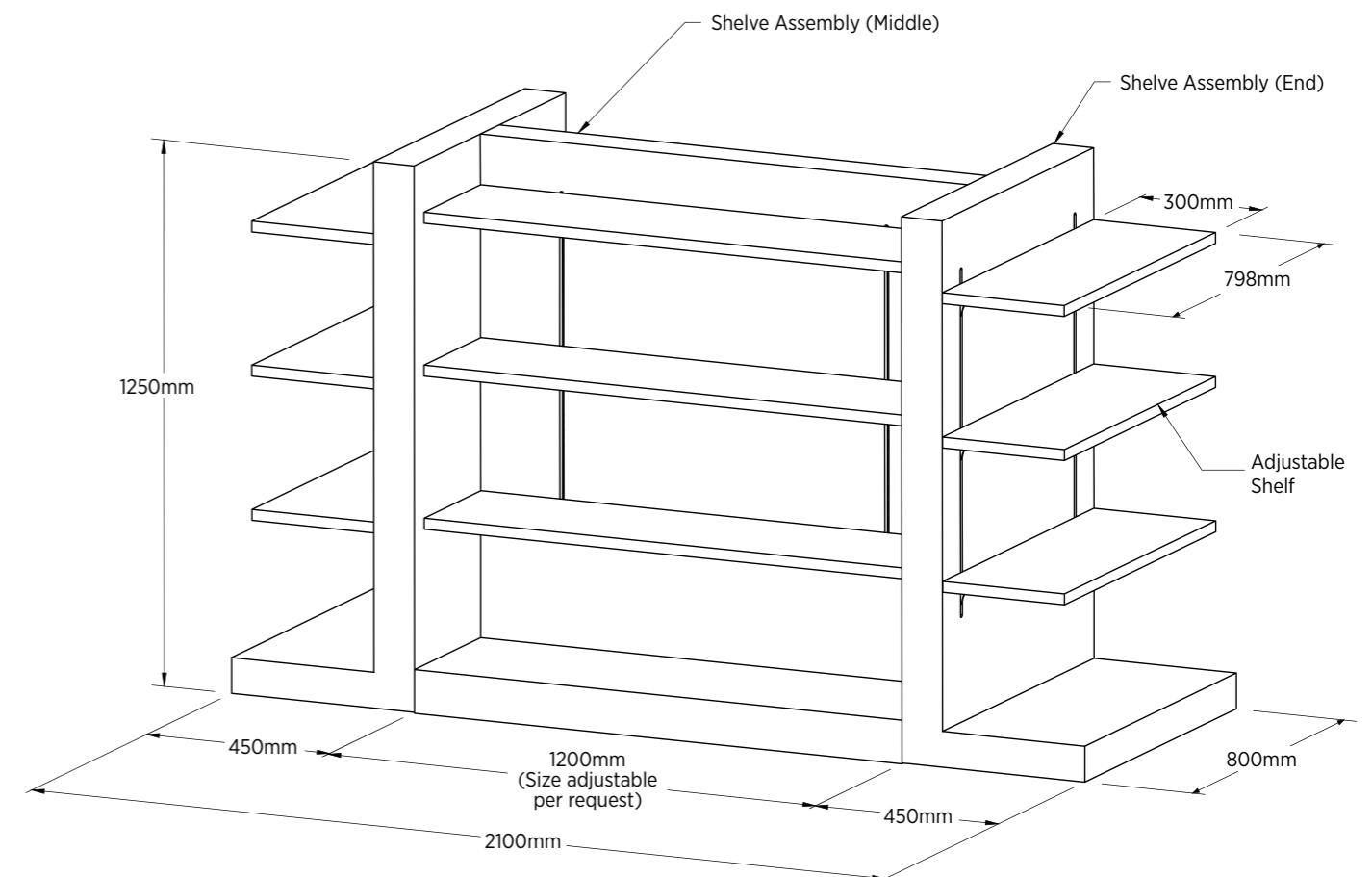


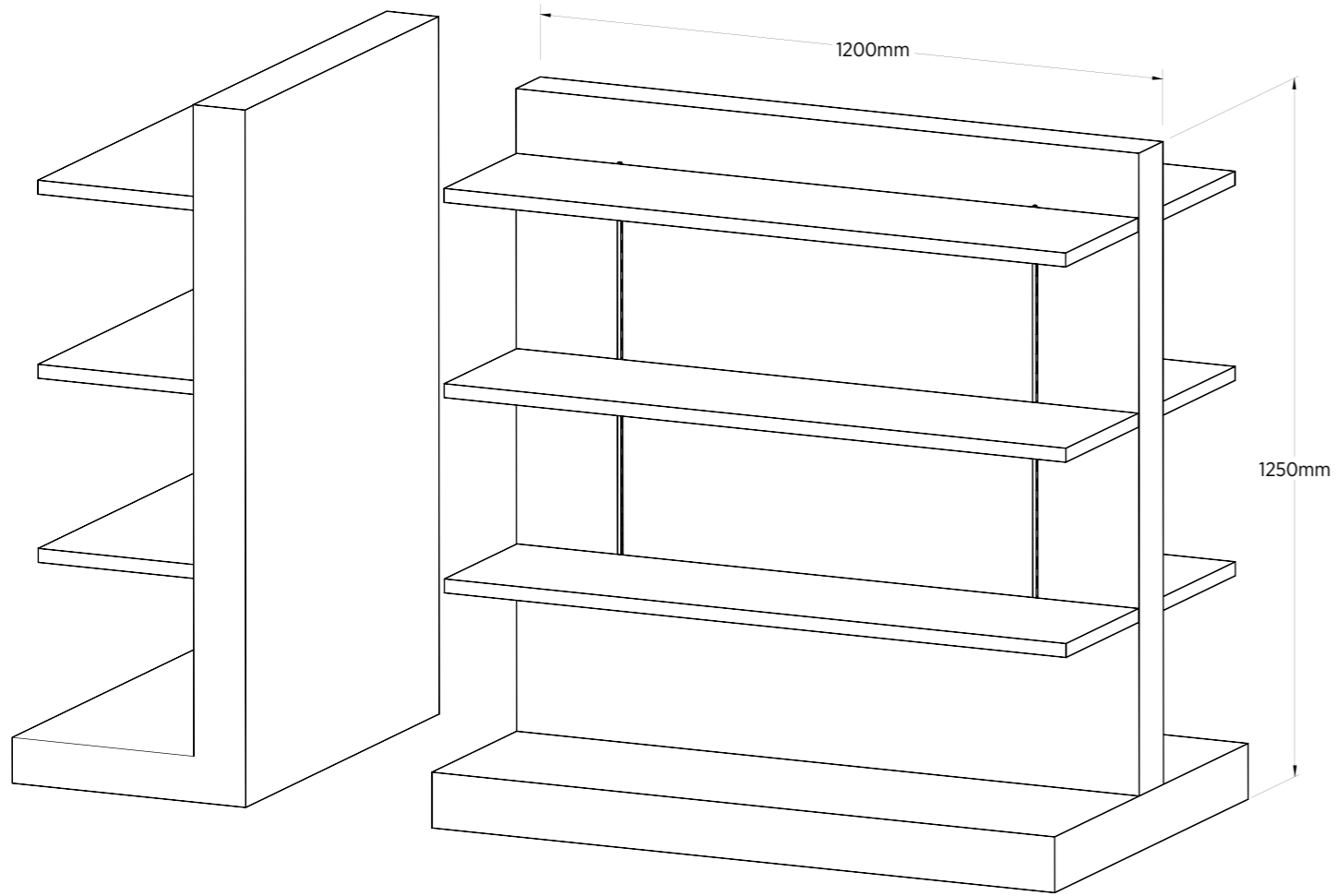
- Wood material**
- 18mm thick wood board for body construction
 - 25mm thick wood board for shelves
- 1** : White Wood - Matte
2 : Black Wood - Matte
3 : Wood pattern - Matte
* Please consult the factory or specify desired material.

We can deliver a unique store fitting experience with high functionality and maximum use of retail space. The dimensions of the system and combinations of shelves are adaptable to any client's vision or project.

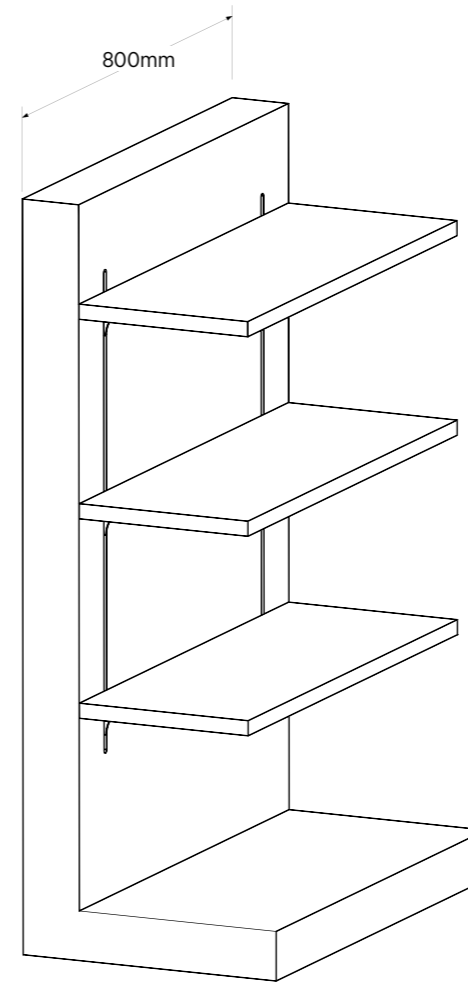


Shelving is offered in standard lengths of 800mm and 1200mm. We can also manufacture them in dimensions as per client's request.



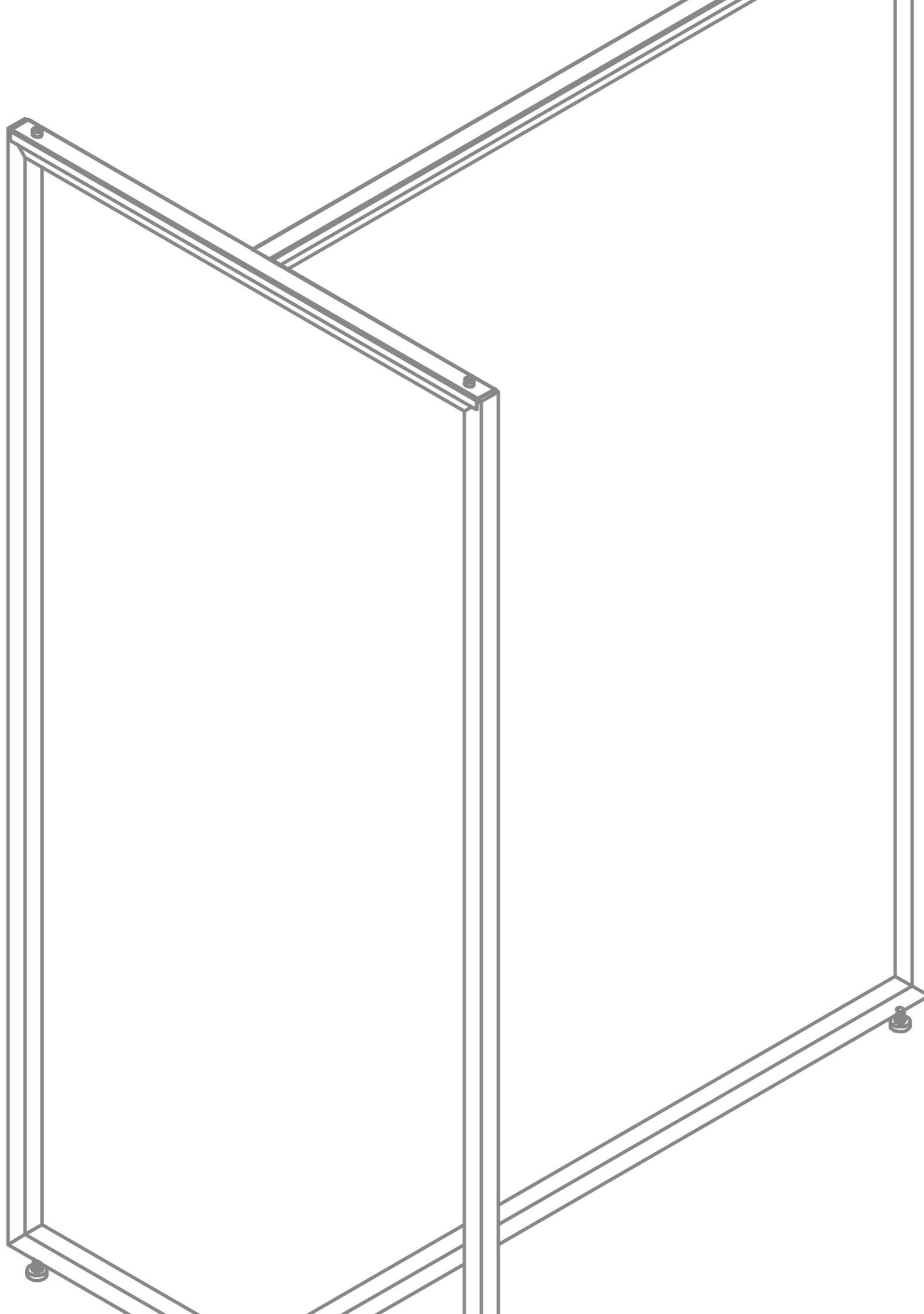


Unique shelving systems with movable elements and combination's of the same.



Our exhibit shelving ensures that your space will be highly aesthetic, stylishly recognizable, functional and perfectly tailored to the needs of your business. We also offer custom exhibit shelving adaptable to any visual brand identity.

Request and review system's technical sheet for details, technical specifications, and dimensions.



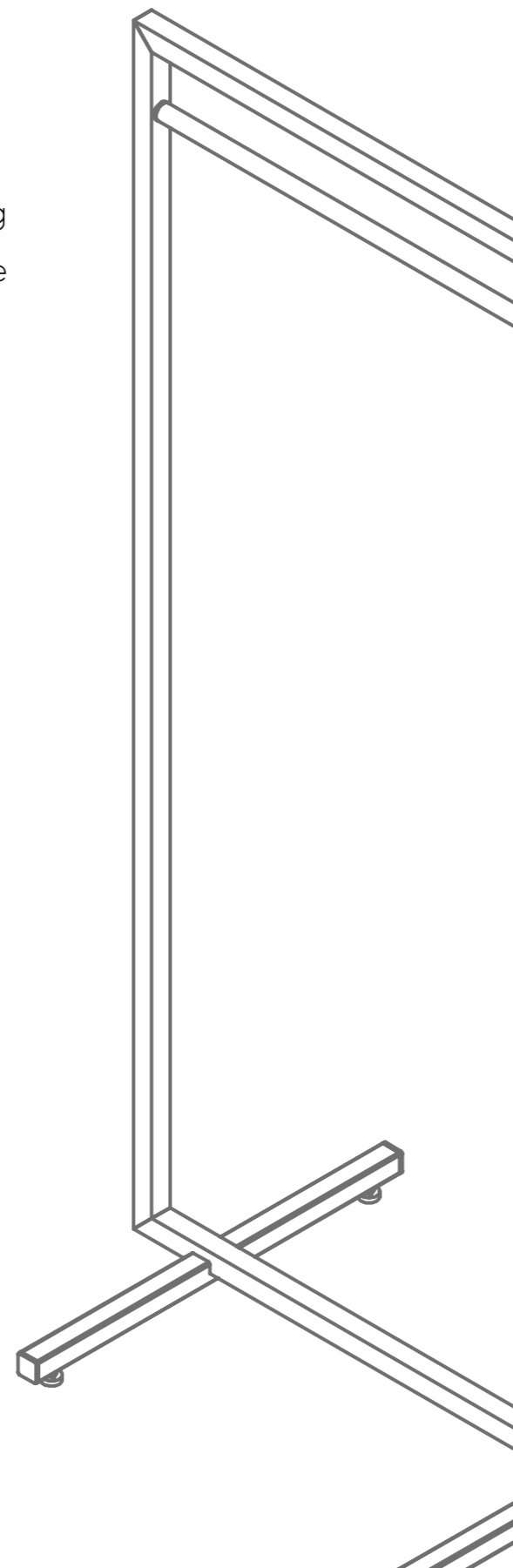
Retail Display **Stands**

Display stands for clothing

Delivering display stands that are both fashionable, durable and adding a modern touch to your clothing store. Customization can be done according to store size and needs, presenting the best result.



For exhibiting textile pieces in retail stores and boutiques, we offer high quality stands for displaying clothing, uniforms and garment with adaptable dimensions.



Assembly 63-700 (1400)



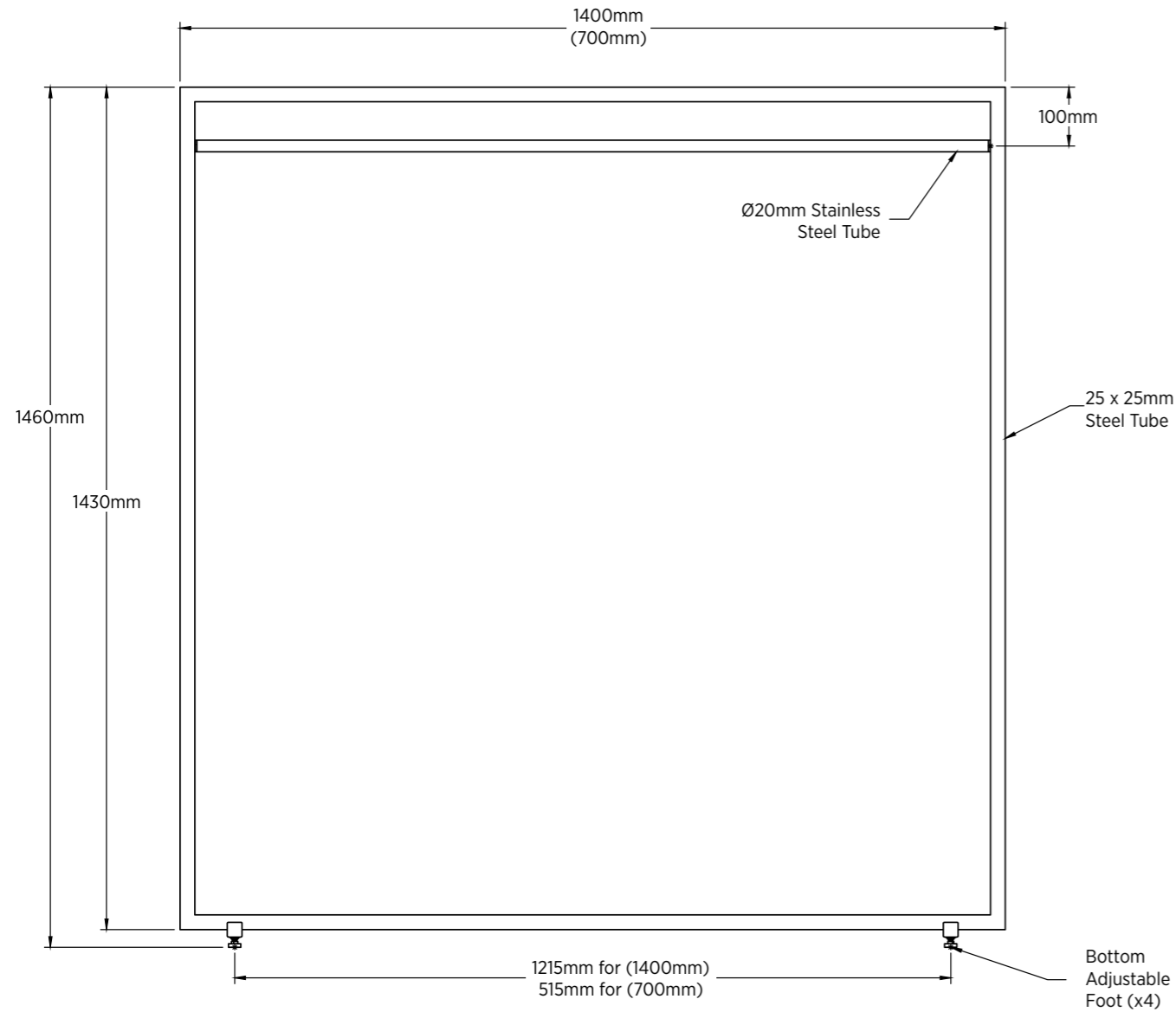
Surface finish options

- 1 : Raw/unfinished
- 2 : Black - RAL 9005 (matte)
- 3 : White - RAL 9010 (matte)
- 4 : Anthracite - RAL 7016 (matte)

Exhibit stands are offered in standard lengths of 700mm and 1400mm. We can also manufacture them in dimensions as per client's request.

Surface finish options

- 1 : Raw/unfinished
- 2 : Black - RAL 9005 (matte)
- 3 : White - RAL 9010 (matte)
- 4 : Anthracite - RAL 7016 (matte)



■ Assembly 63 - 700, Assembly 63 - 1400

Assembly 63-700 (1400)-P



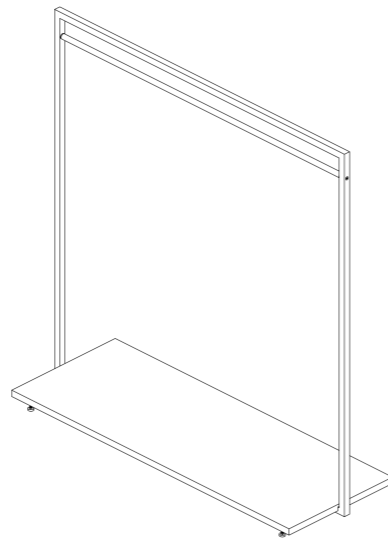
Our exhibit stands ensure that your space will be highly aesthetic, stylishly recognizable, functional and perfectly tailored to the needs of your business. We also offer custom exhibit stands adaptable to any visual brand identity.



Assembly 63 – 700 – P



Delivering display stands that are both fashionable, durable and adding a modern touch to your clothing store. Customization can be done according to store size and needs, presenting the best result.



U ovu opciju uključen je 25mm debeo drveni podest za izlaganje produkata

Surface finish options

- 1: Raw/unfinished
- 2: Black - RAL 9005 (matte)
- 3: White - RAL 9010 (matte)
- 4: Anthracite - RAL 7016 (matte)

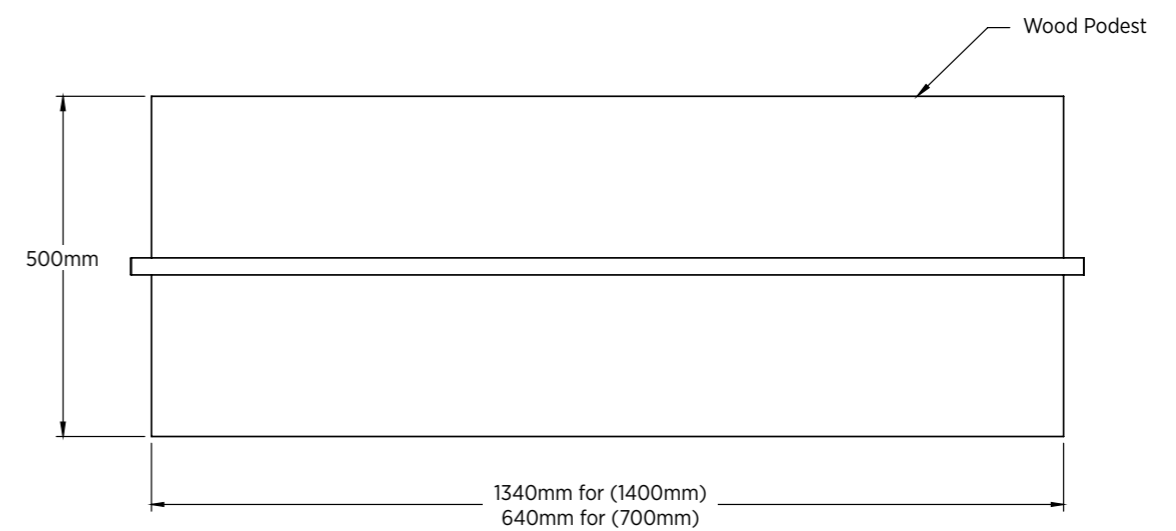
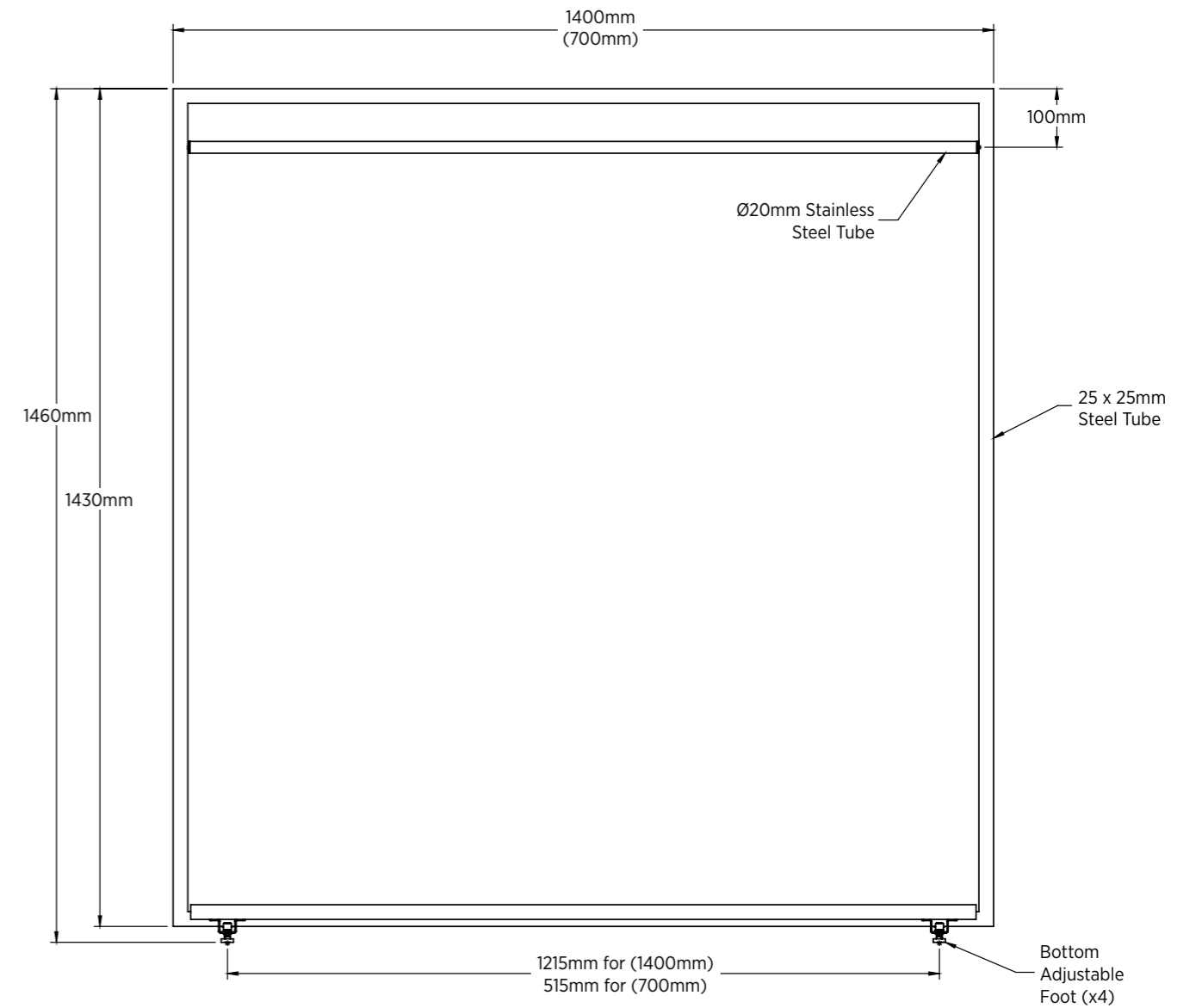
Wood material

- 25mm thick wood board

- 1: White Wood - Matte
- 2: Black Wood - Matte
- 3: Wood pattern - Matte

* Please consult the factory or specify desired material for wood base.

For exhibiting textile pieces in retail stores and boutiques, we offer high quality stands for displaying clothing with adaptable dimensions.





Assembly 65 - 700 x 700

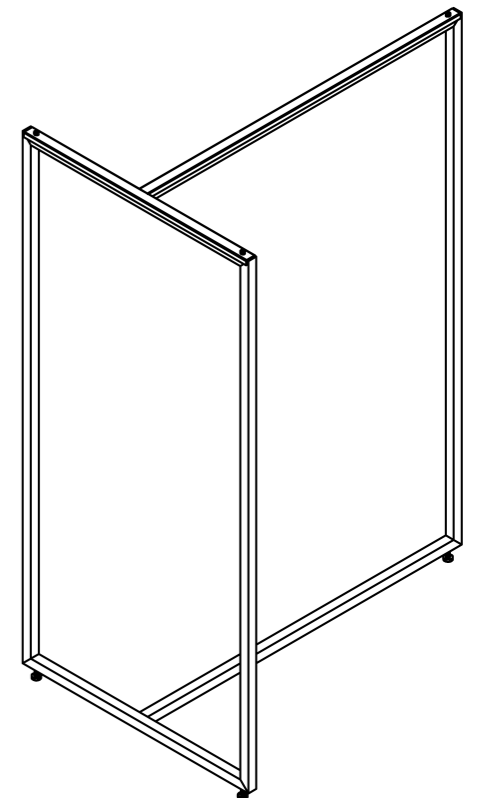
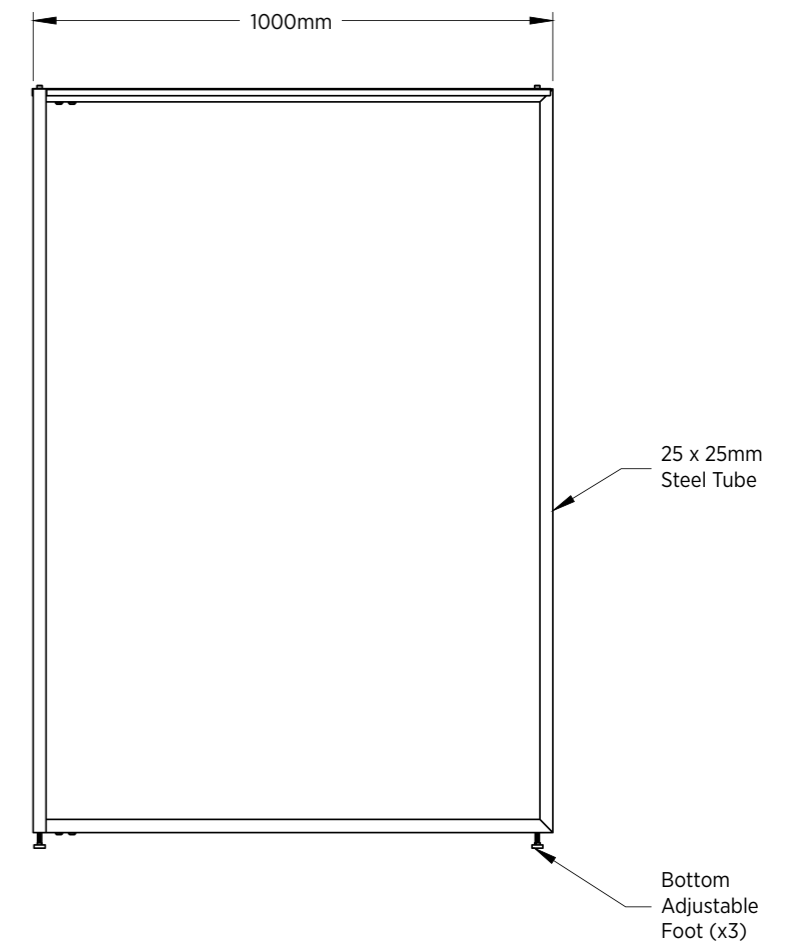
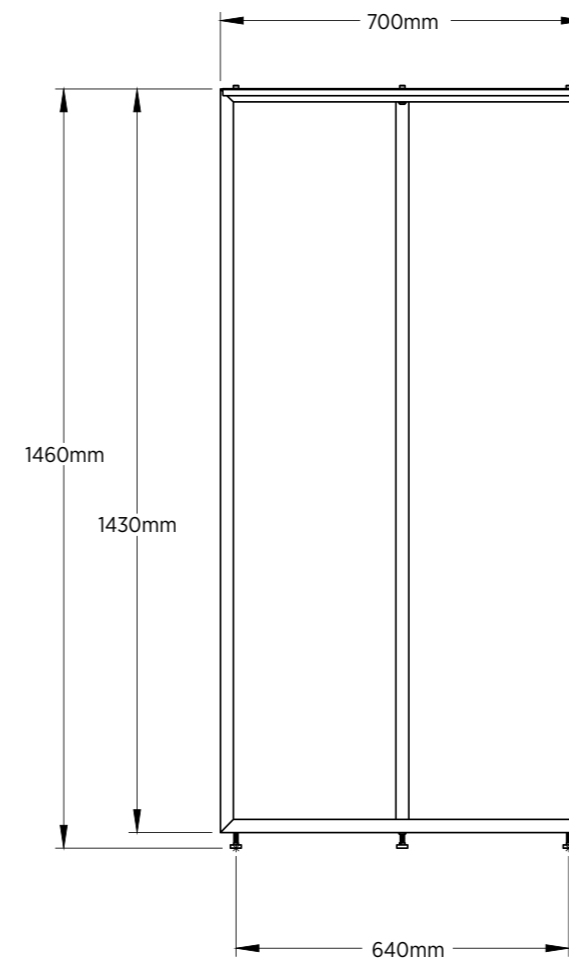
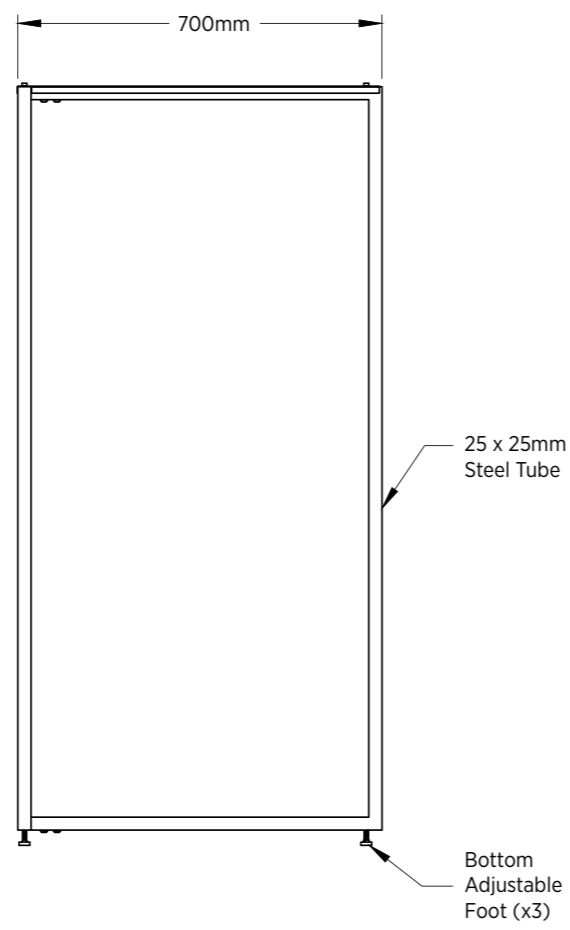
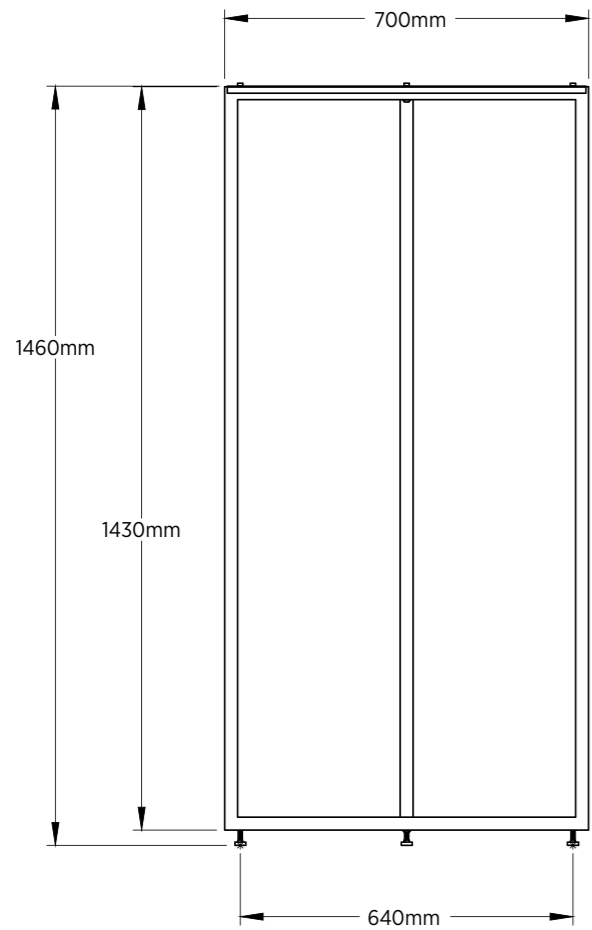
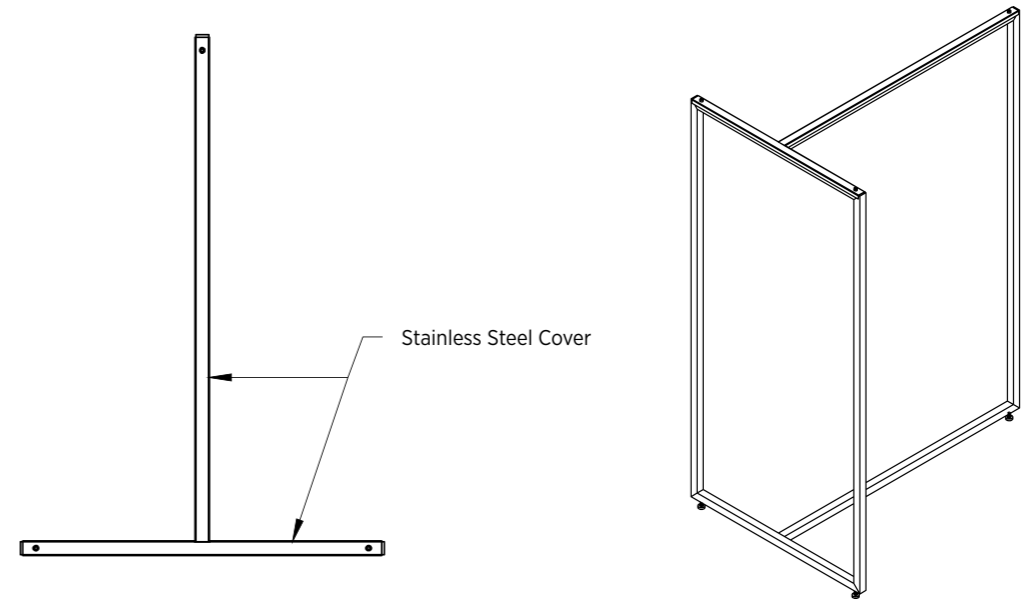
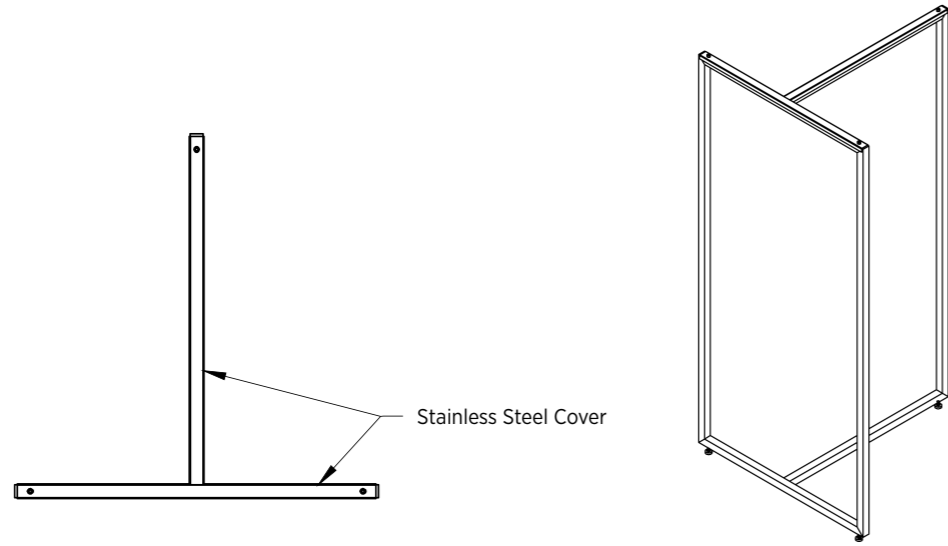


Exhibit stands are offered in standard lengths of 700mm and 1000mm. We can also manufacture them in dimensions per client's request.

Surface finish options

- 1 : Raw/unfinished
- 2 : Black - RAL 9005 (matte)
- 3 : White - RAL 9010 (matte)
- 4 : Anthracite - RAL 7016 (matte)



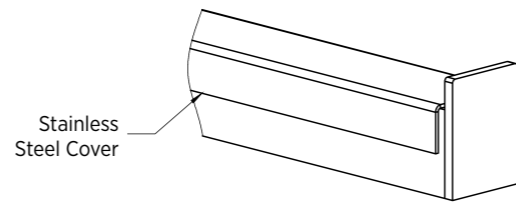
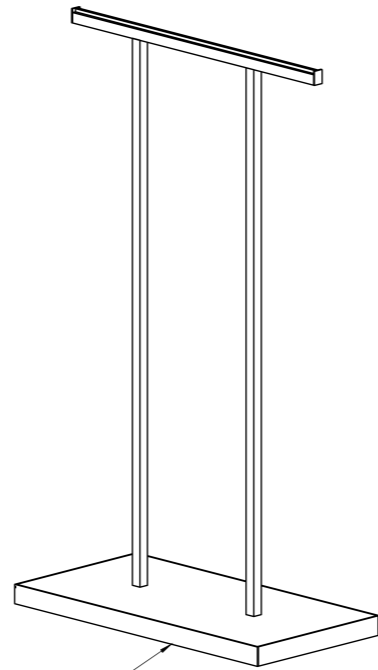
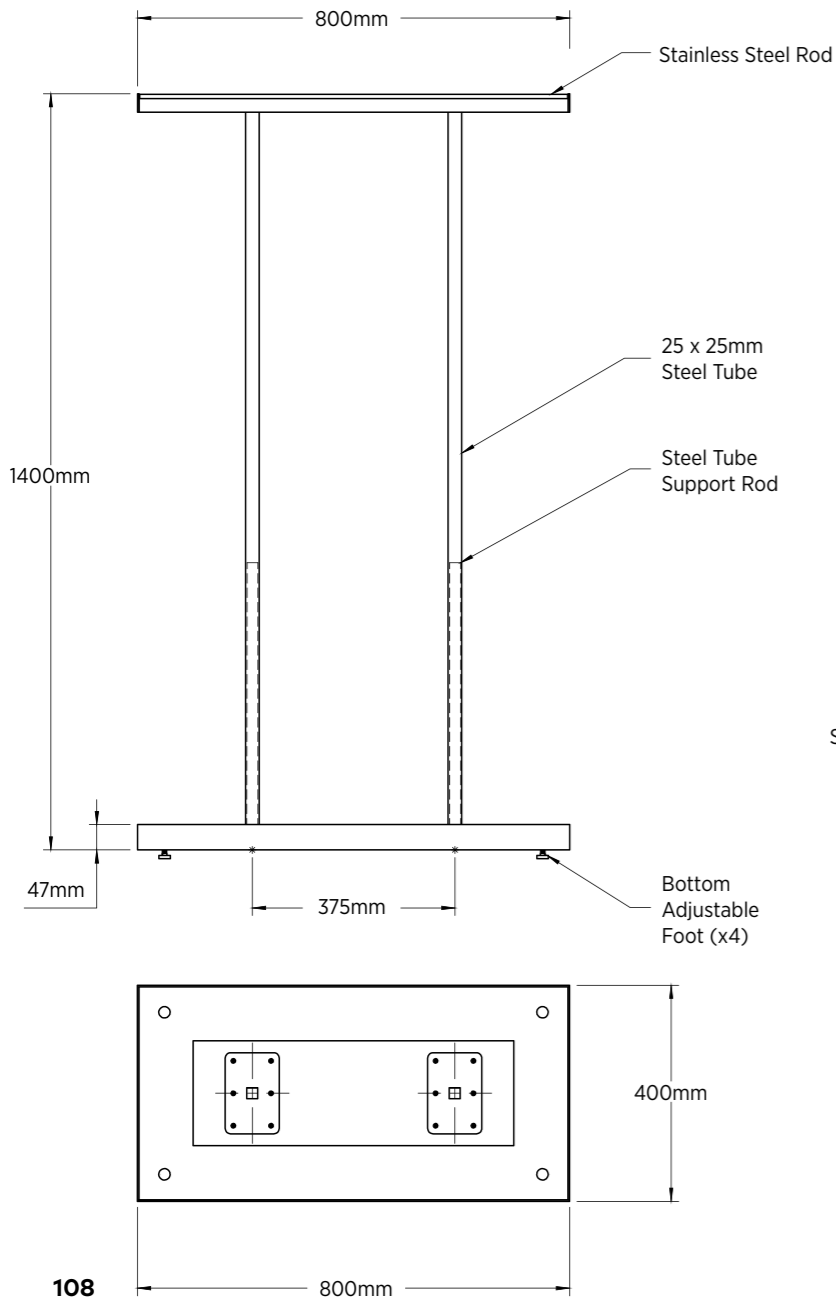
■ Assembly 65 - 700 x 700

■ Assembly 65 - 700 x 1000

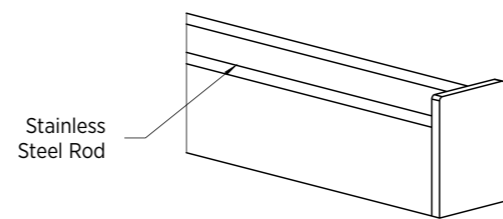
Assembly 66



We have the option of covering the top part of the exhibit stand with a stainless steel sheet metal cover or stainless steel solid rod - per clients wishes.



■ Option 1: Stainless steel cover

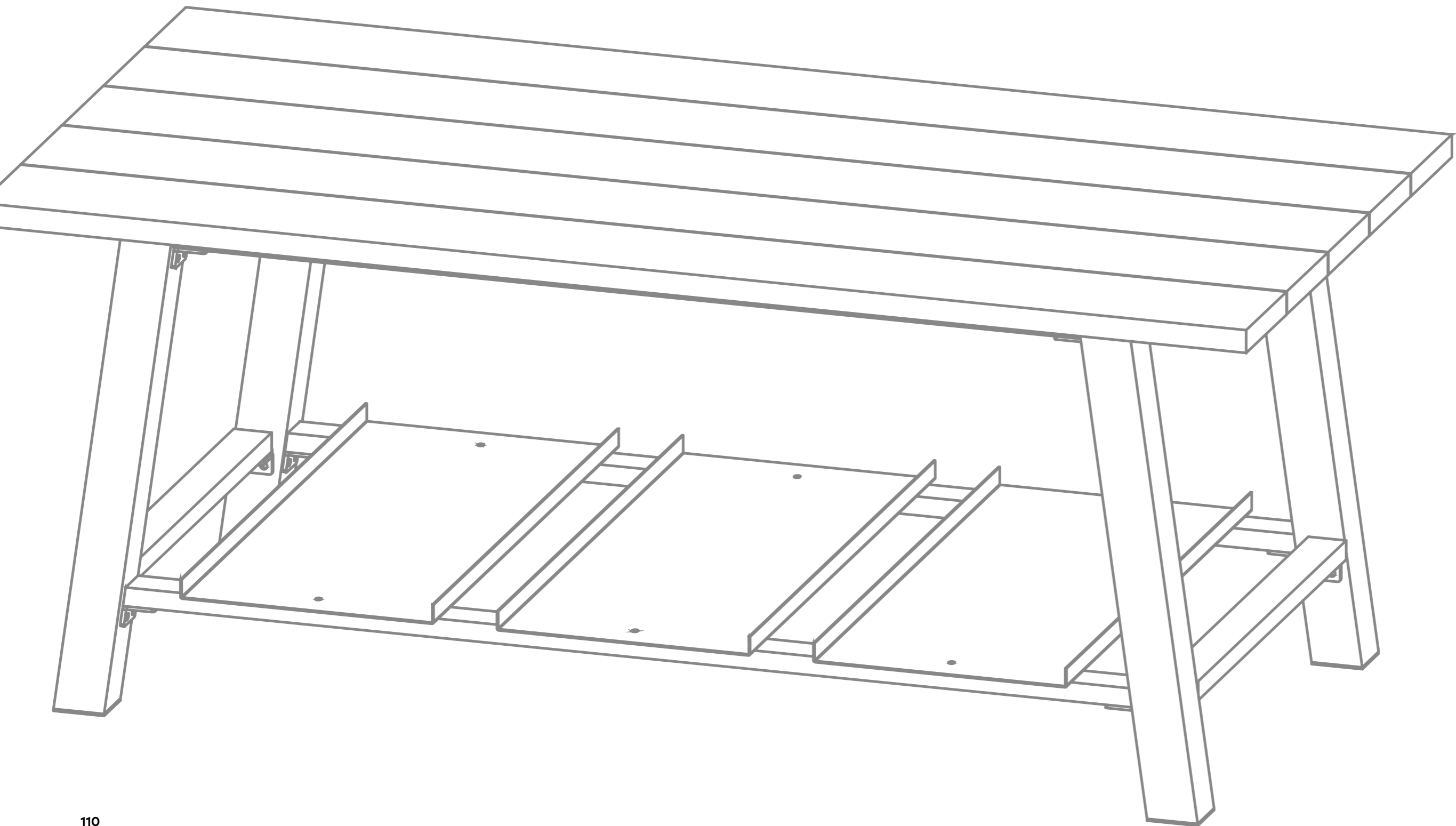


■ Option 2: Stainless steel rod

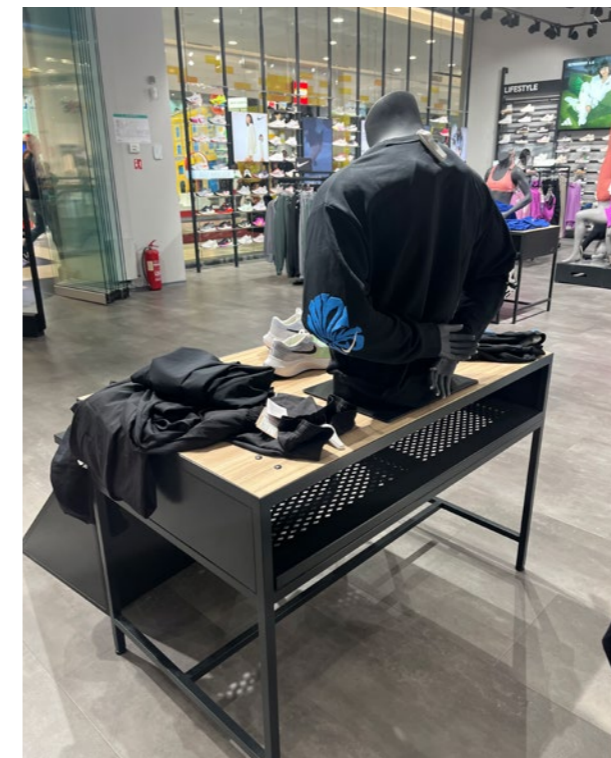
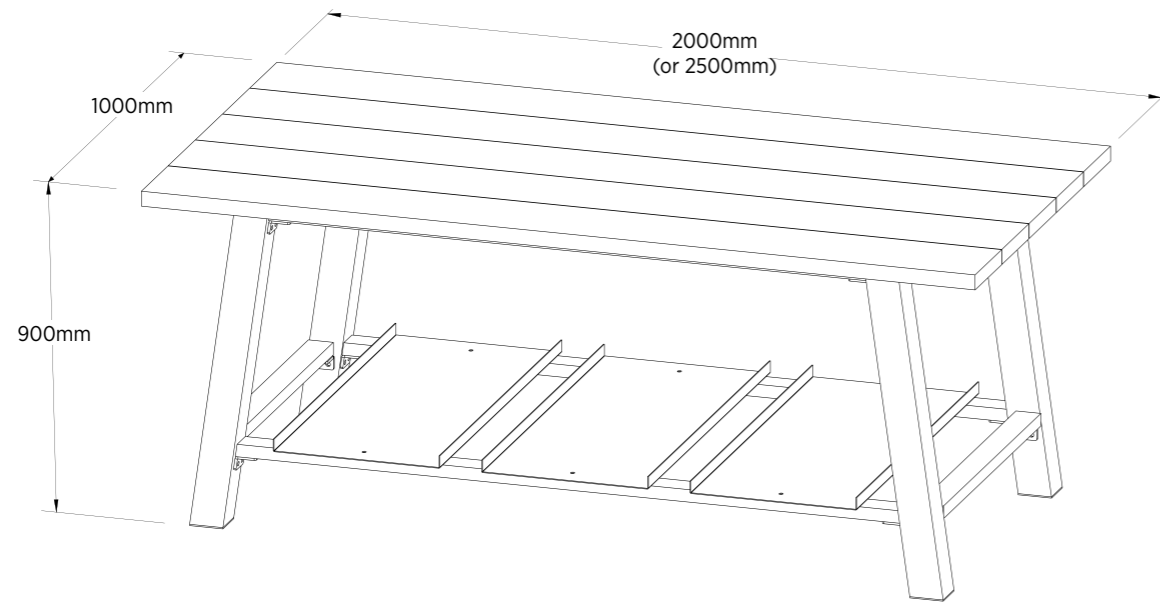
CUSTOM EXHIBIT STANDS



Custom **Solutions**



CUSTOM TABLES





LIGHTING





ALM metal (brand of ALM Lighting d.o.o.)
Beethovenova ul. 8,
10000 Zagreb, Croatia
E-mail: info@alm-metal.com
Web: www.alm-metal.com



ALM Lighting d.o.o.
Beethovenova ul. 8,
10000 Zagreb, Croatia



ALM metal (brand of ALM Lighting d.o.o.)

Beethovenova ul. 8,
10000 Zagreb, Croatia

E-mail: info@alm-metal.com

Web: www.alm-metal.com